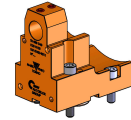


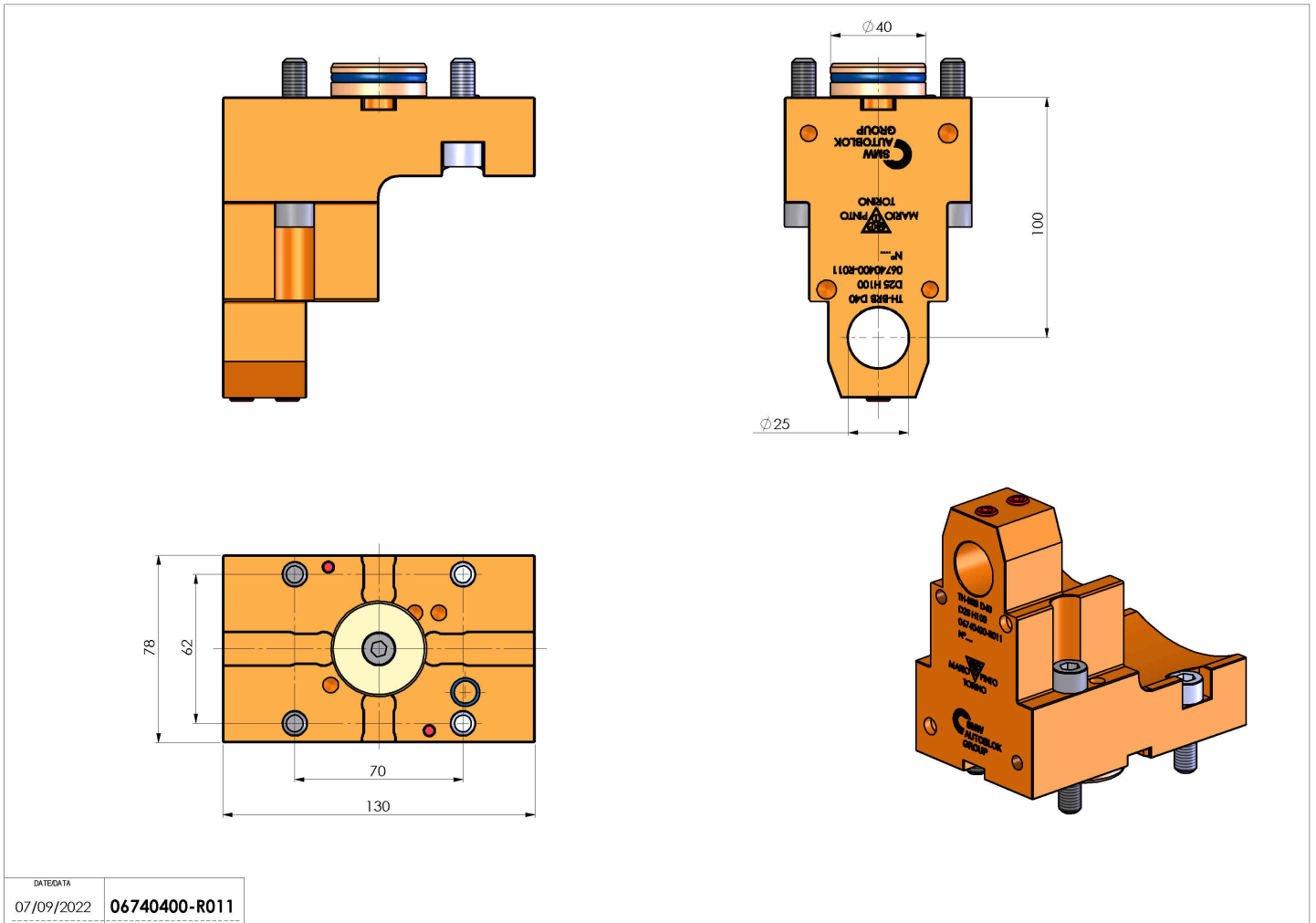
## 06740400 - TH-BRB D40 D25 H100

<b>Type</b>	TH SPECIALE Tool holder customized
<b>Mounting</b>	CYLINDRICAL SHANK 40
<b>Tool output</b>	Boring Bar Holder 25
<b>Coolant</b>	N.A.
<b>H [mm]</b>	100



<b>Accessories</b>	N.A.
<b>Notes</b>	N.A.
<b>Mounting tips</b>	N.A.

Always check live tool dimensions on the turret



DATE/DATA	07/09/2022
PART NUMBER	06740400-R011

Subject to technical changes