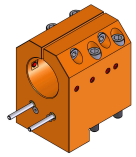
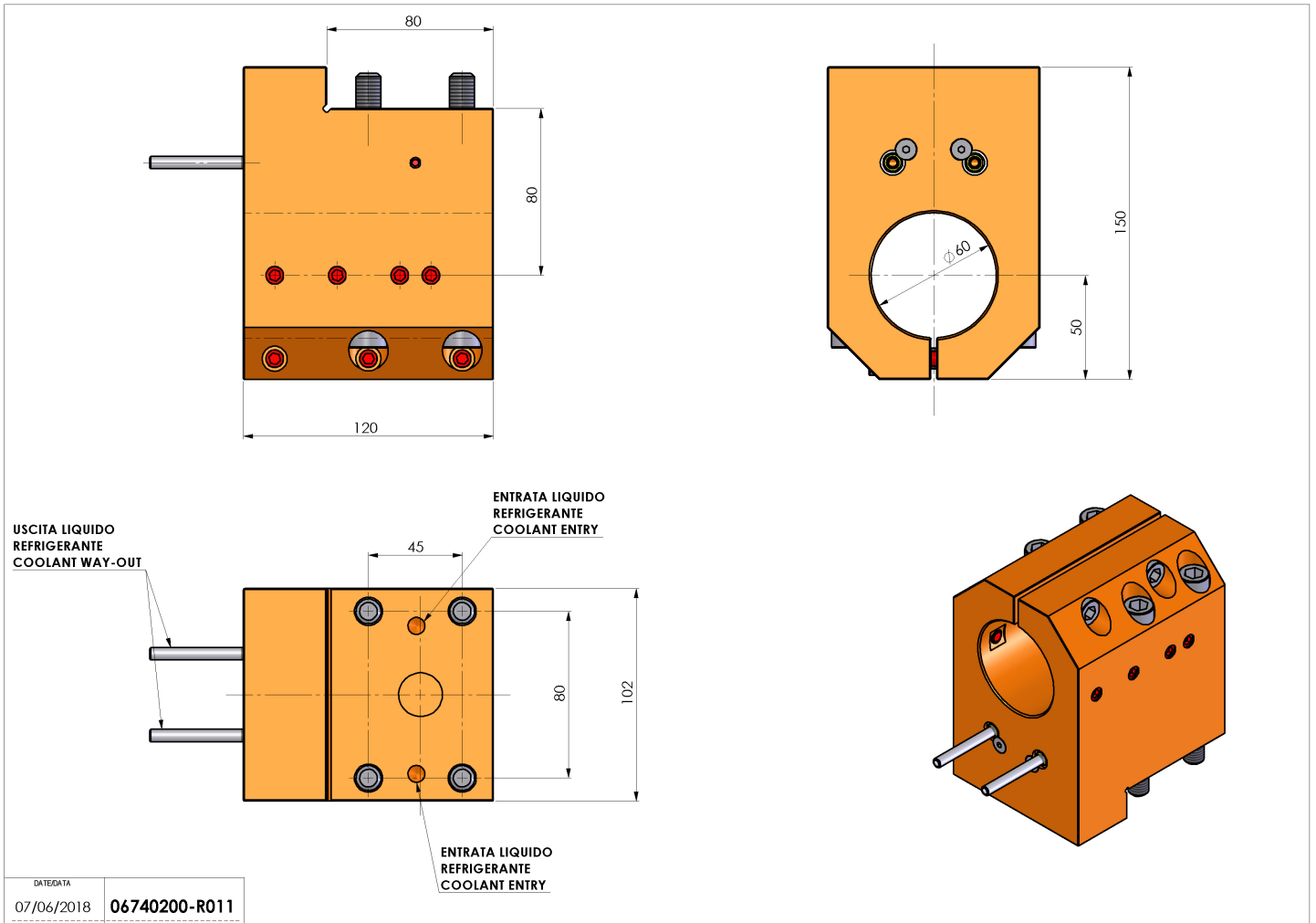


## 06740200 - TH-BRB D20 D60 H80 TAGL

<b>Type</b>	TH SPECIALE Tool holder customized
<b>Mounting</b>	CYLINDRICAL SHANK 60
<b>Tool output</b>	Boring Bar Holder 60
<b>Coolant</b>	External coolant
<b>H [mm]</b>	80
	
<b>Accessories</b>	N.A.
<b>Notes</b>	N.A.
<b>Mounting tips</b>	N.A.

Always check live tool dimensions on the turret



DATE DATA  
07/06/2018 **06740200-R011**