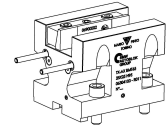


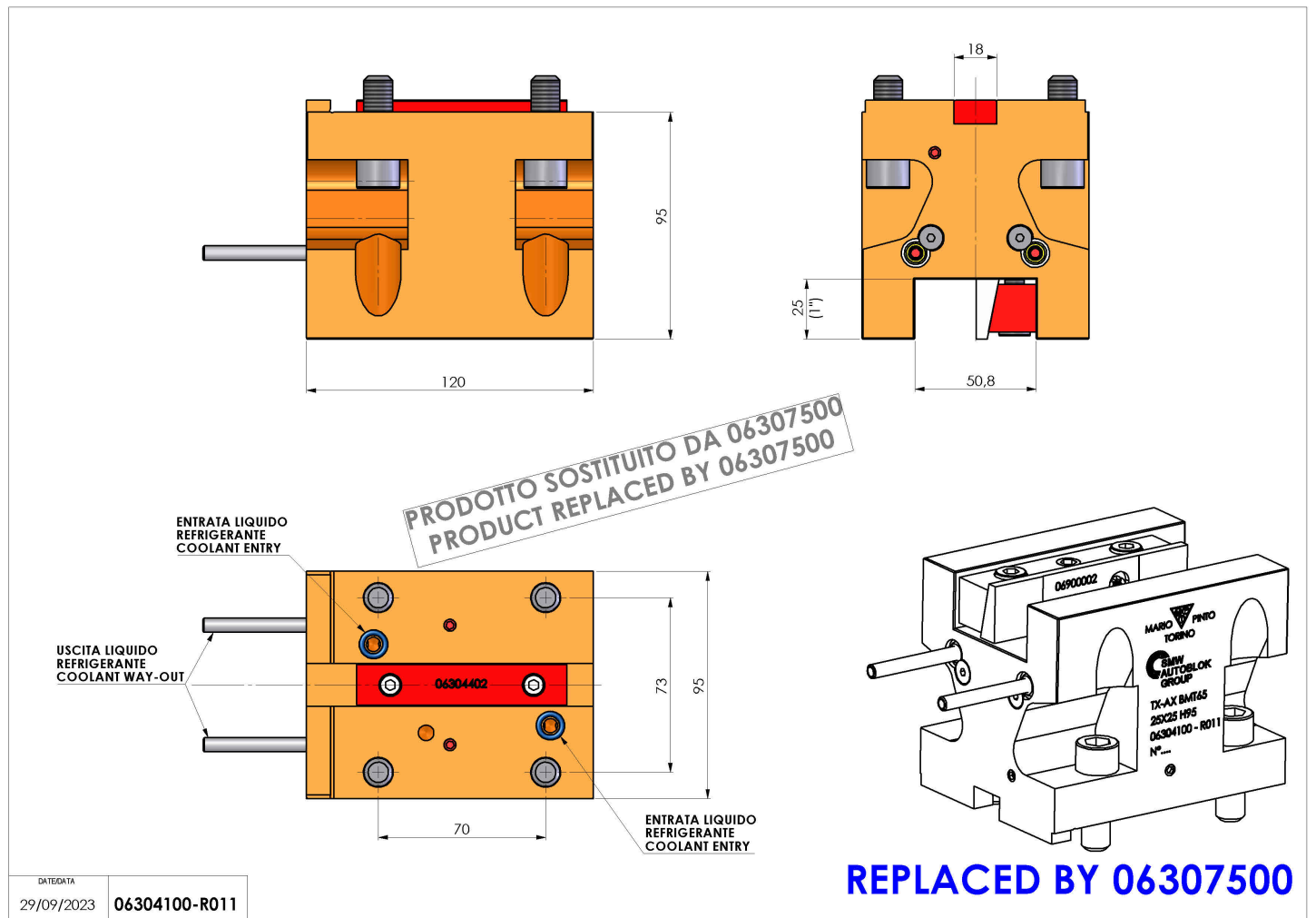
## 06304100 - TH-AX BMT65 1"X1" H95

Type	TH-AX Axial Tool holder
Mounting	BMT 65
Tool output	Axial Square Tool Holder 1"x 1"
Coolant	External coolant
H [mm]	95
Accessories	N.A.
Notes	Replaced by cod. 06307500
Mounting tips	N.A.



REPLACED BY 06307500

Always check live tool dimensions on the turret



DATE/DATE	06304100-R011
29/09/2023	

Subject to technical changes