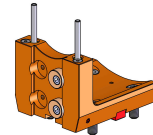


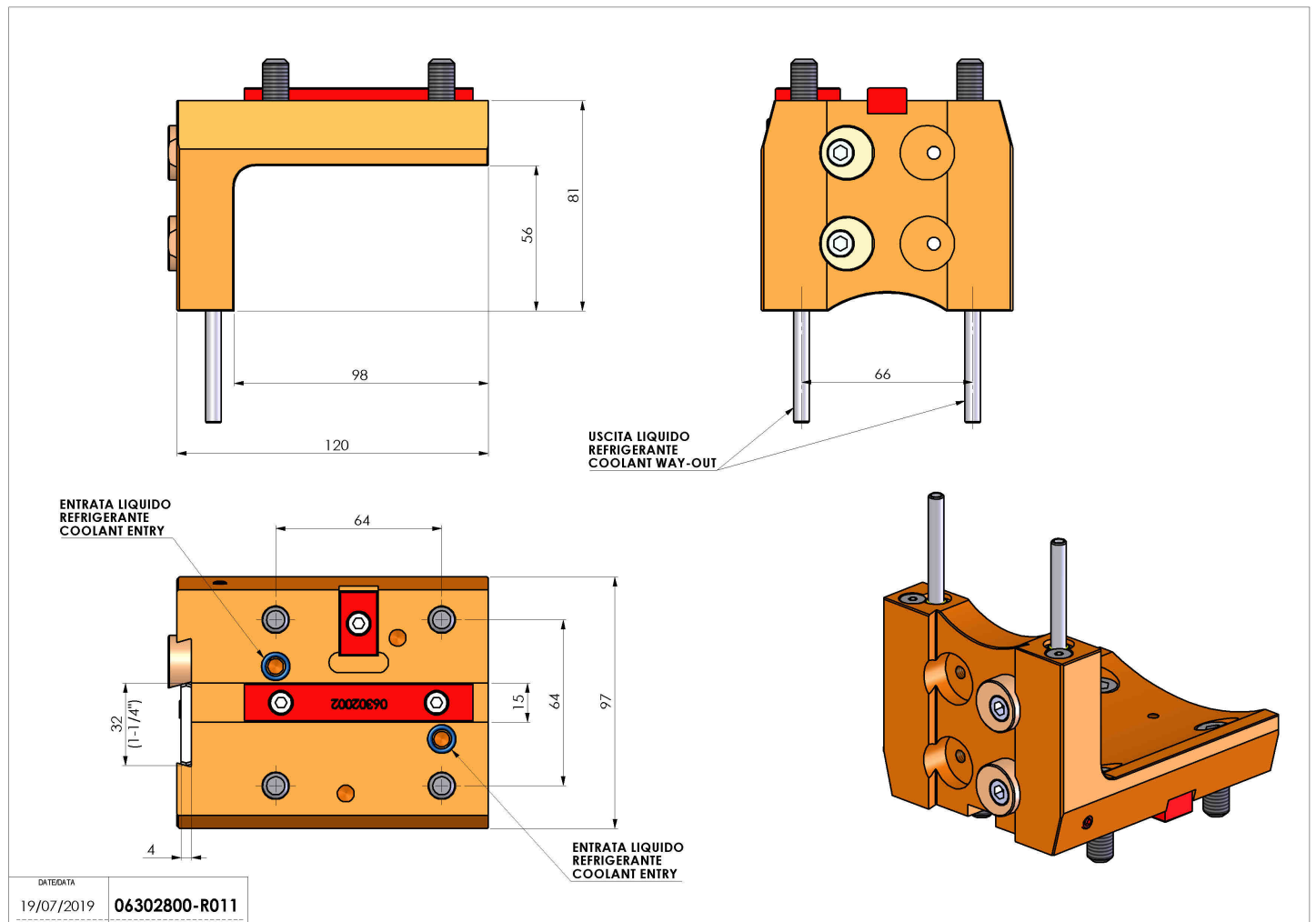
06302800 - TH-CUT BMT55 UT1-1/4" (32) H80

Type	TH-CUT Cutting holder
Mounting	BMT 55
Tool output	Cut Off Holder 1-1/4"(32)
Coolant	External coolant
H [mm]	86



Accessories	N.A.
Notes	N.A.
Mounting tips	N.A.

Always check live tool dimensions on the turret



DATE/DATA	19/07/2019	06302800-R011
-----------	------------	---------------

Subject to technical changes