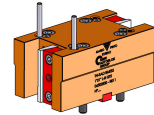


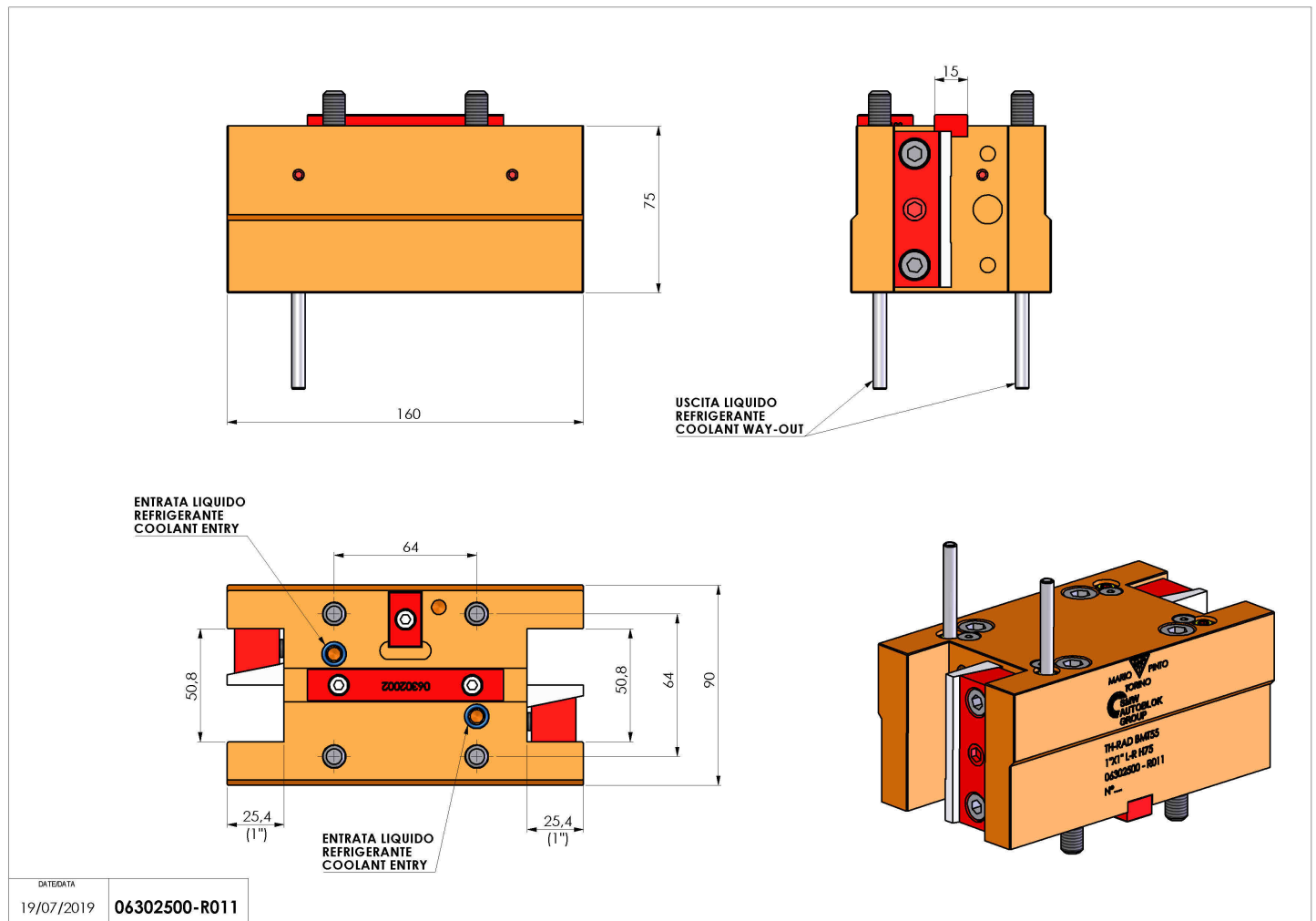
## 06302500 - TH-RAD BMT55 1"X1" L-R H75

Type	TH-RAD Radial Tool holder
Mounting	BMT 55
Tool output	Radial Square Tool Holder 1"x1"
Coolant	External coolant
H [mm]	75



Accessories	N.A.
Notes	N.A.
Mounting tips	N.A.

Always check live tool dimensions on the turret



DATE/DATE	19/07/2019
06302500-R011	

Subject to technical changes