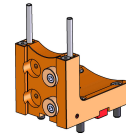


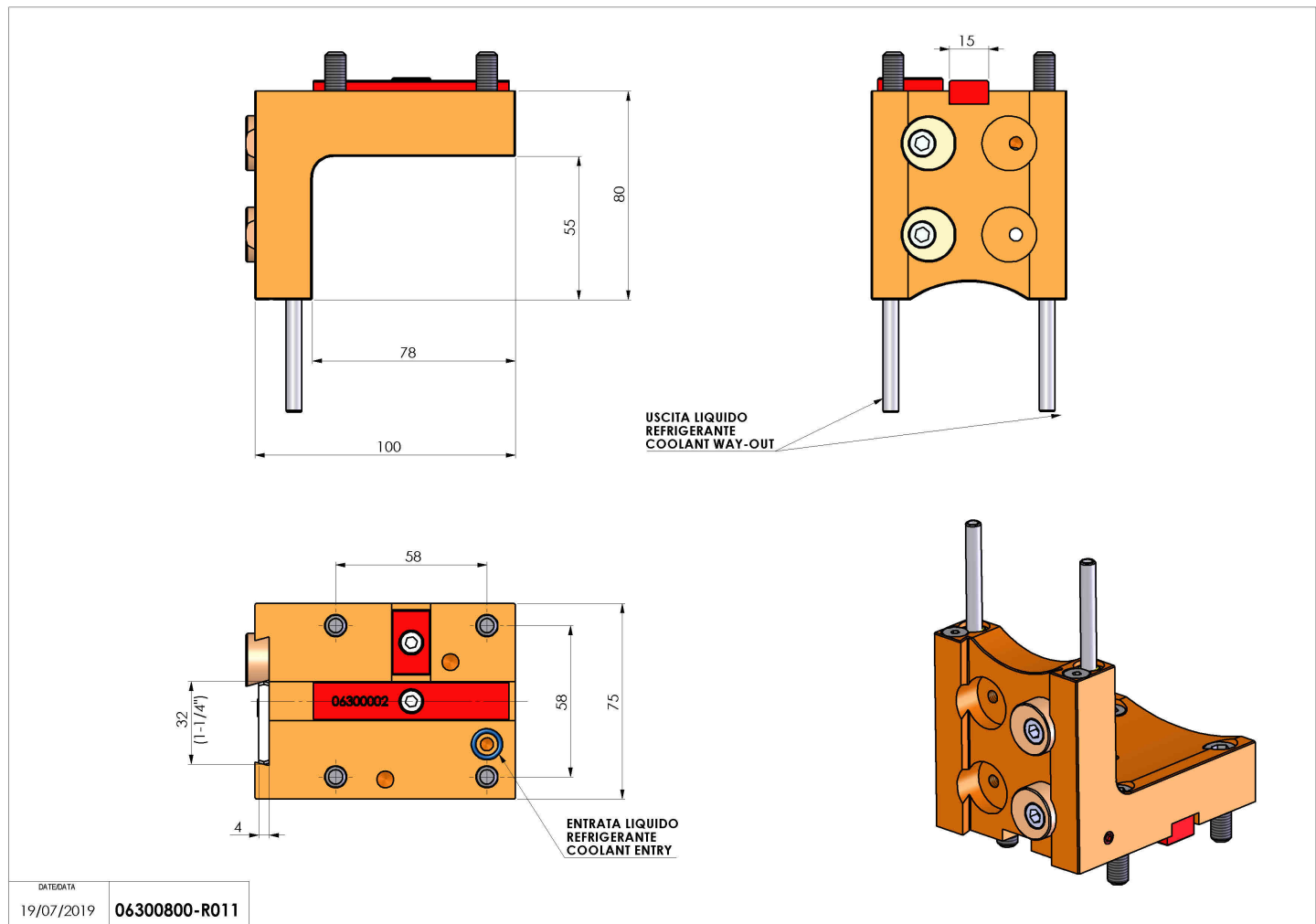
06300800 - TH-CUT BMT45 D1-1/4" H65

Type	TH-CUT Cutting holder
Mounting	BMT 45
Tool output	Cut Off Holder 1-1/4"(32)
Coolant	External coolant
H [mm]	80



Accessories	N.A.
Notes	N.A.
Mounting tips	N.A.

Always check live tool dimensions on the turret



DATE/DATE	19/07/2019	06300800-R011
-----------	------------	---------------

Subject to technical changes