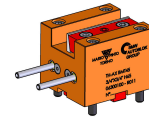


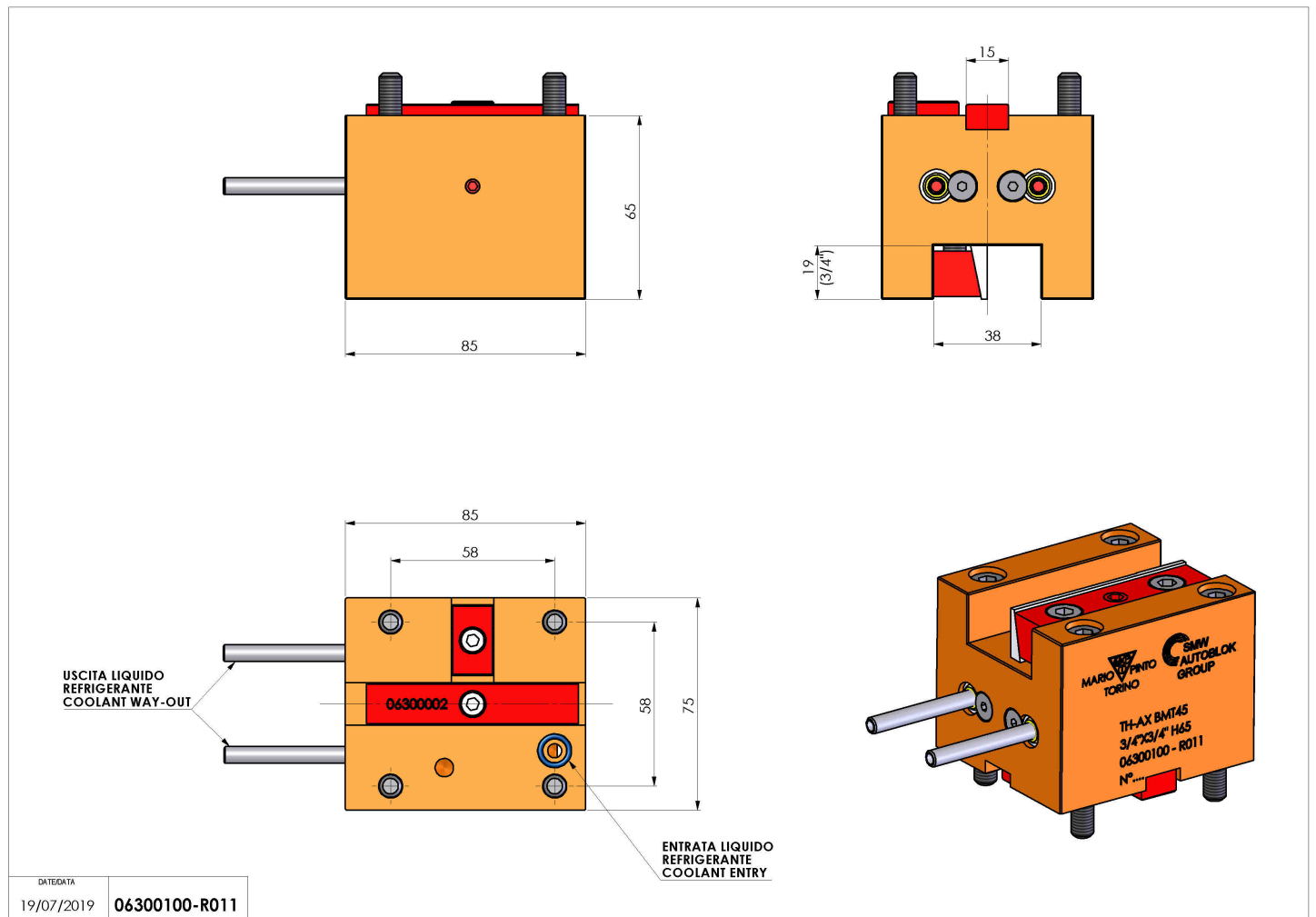
06300100 - TH-AX BMT45 3/4"X3/4" H65

Type	TH-AX Axial Tool holder
Mounting	BMT 45
Tool output	Axial Square Tool Holder 3/4" x 3/4"
Coolant	External coolant
H [mm]	65



Accessories	N.A.
Notes	N.A.
Mounting tips	N.A.

Always check live tool dimensions on the turret



DATE/DATE	19/07/2019
	06300100-R011

Subject to technical changes