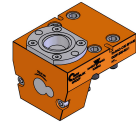
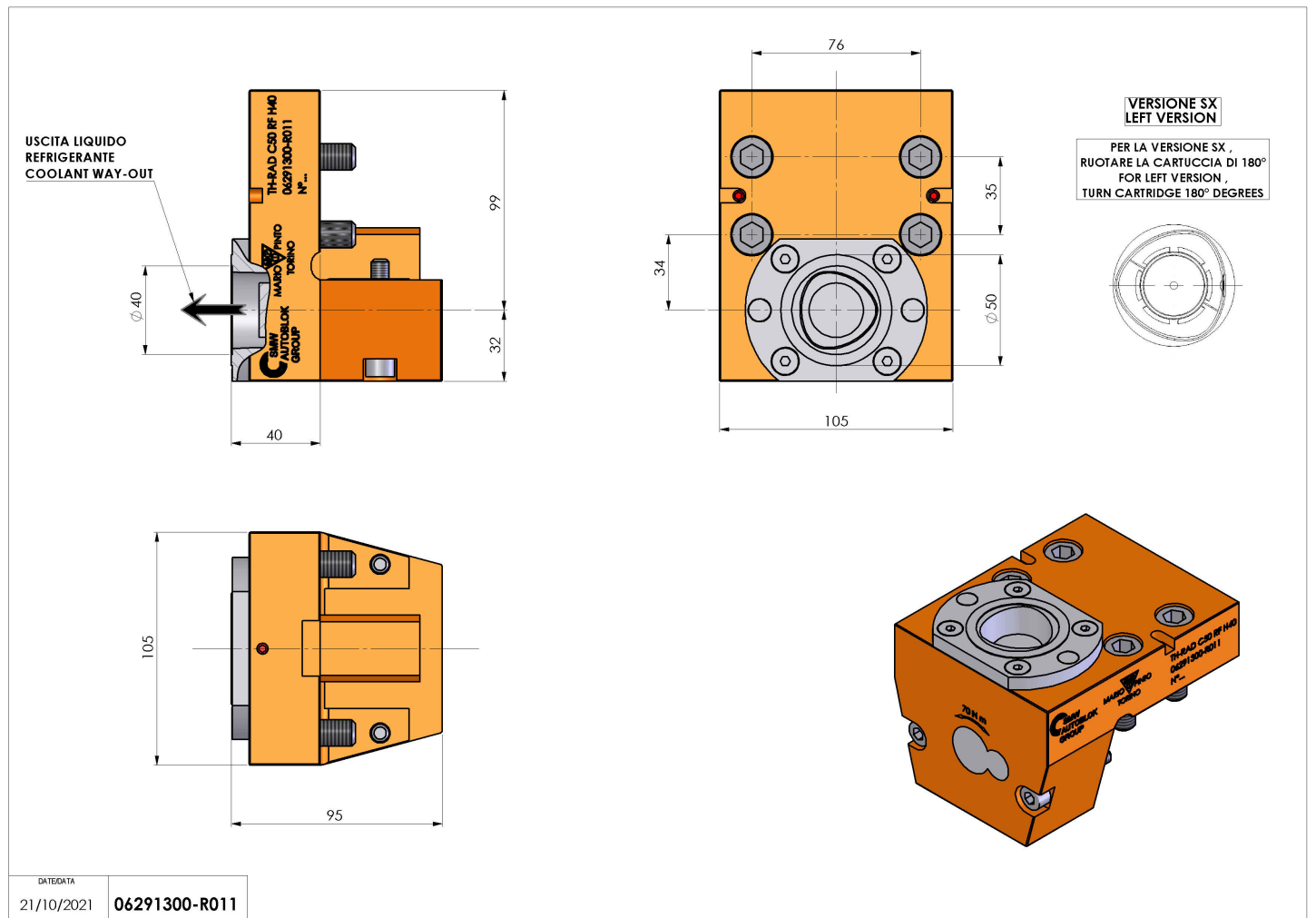


06291300 - TH-RAD C5 RF H40

Type	TH-RAD Radial Tool holder
Mounting	CYLINDRICAL SHANK 32
Tool output	Polygonal shank C50 ISO 26623-1
Coolant	Internal coolant
H [mm]	40
Accessories	N.A.
Notes	N.A.
Mounting tips	N.A.



Always check live tool dimensions on the turret



Subject to technical changes