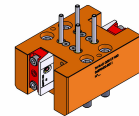


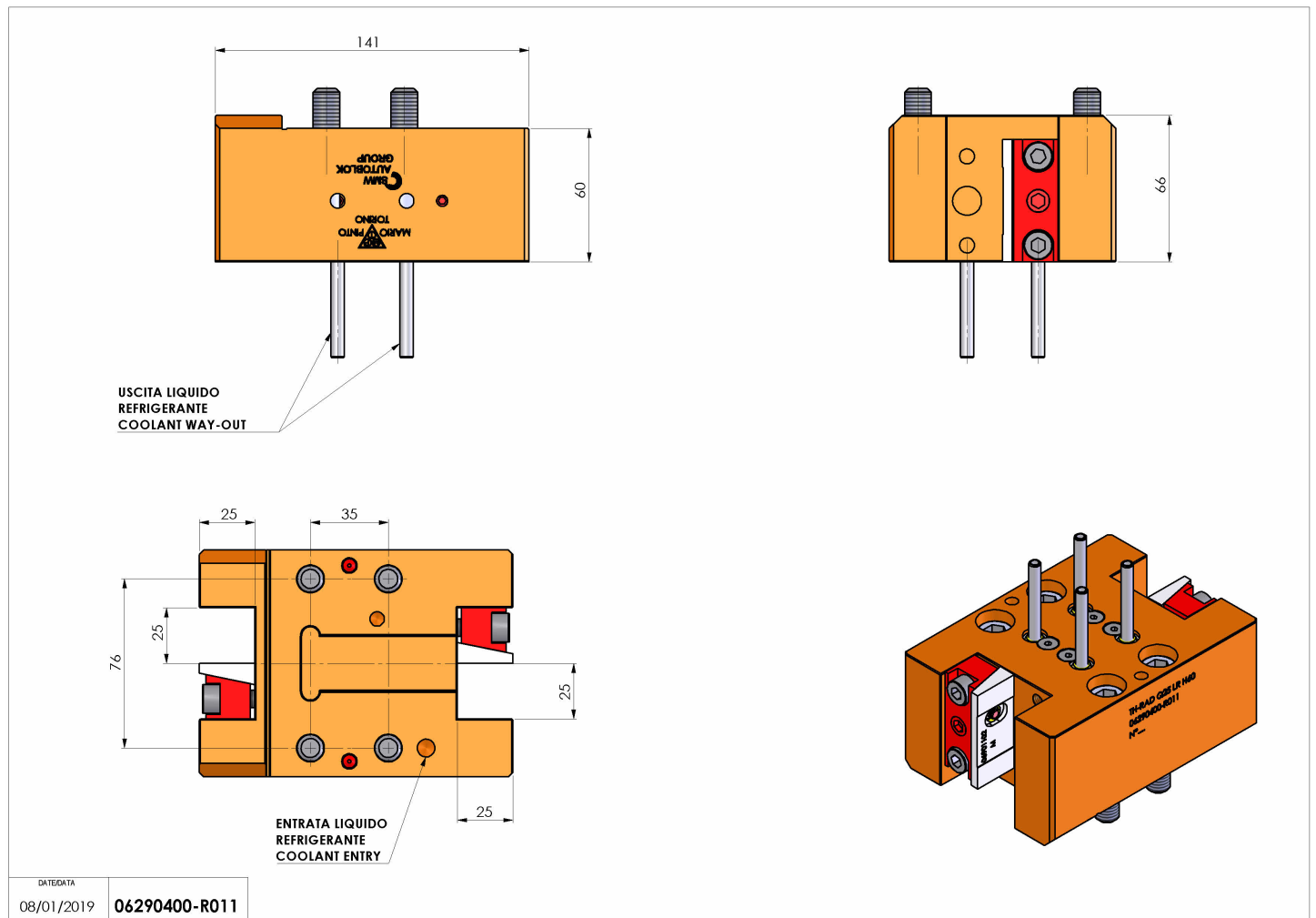
06290400 - TH-RAD Q25 LR H60

Type	TH-RAD Radial Tool holder
Mounting	CYLINDRICAL SHANK 32
Tool output	Radial Square Tool Holder 25x25
Coolant	External coolant
H [mm]	60



Accessories	N.A.
Notes	N.A.
Mounting tips	N.A.

Always check live tool dimensions on the turret



Subject to technical changes