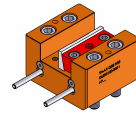


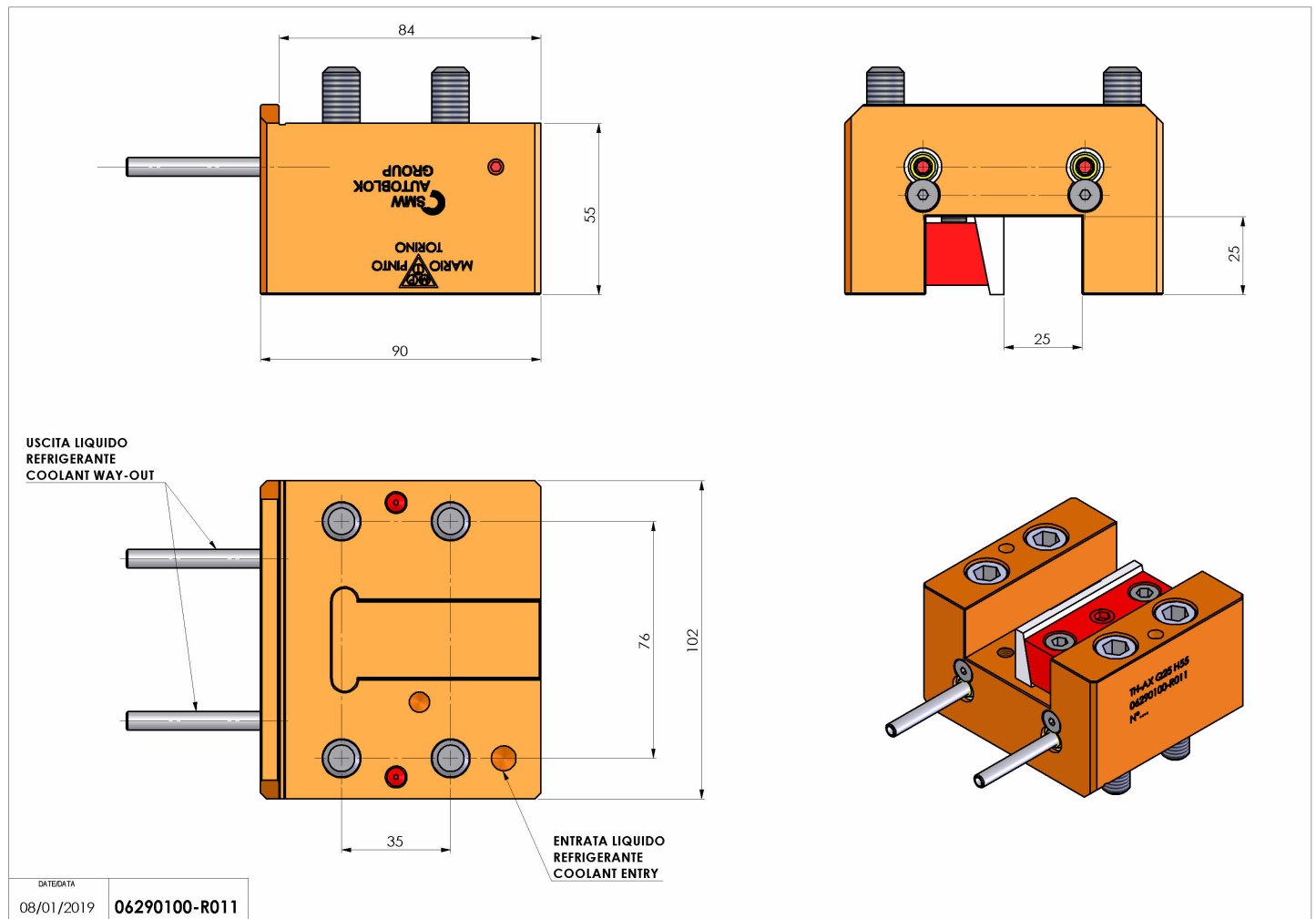
06290100 - TH-AX Q25 H55

Type	TH-AX Axial Tool holder
Mounting	CYLINDRICAL SHANK 32
Tool output	Axial Square Tool Holder 25x25
Coolant	External coolant
H [mm]	55



Accessories	N.A.
Notes	N.A.
Mounting tips	N.A.

Always check live tool dimensions on the turret



Subject to technical changes