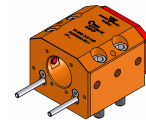


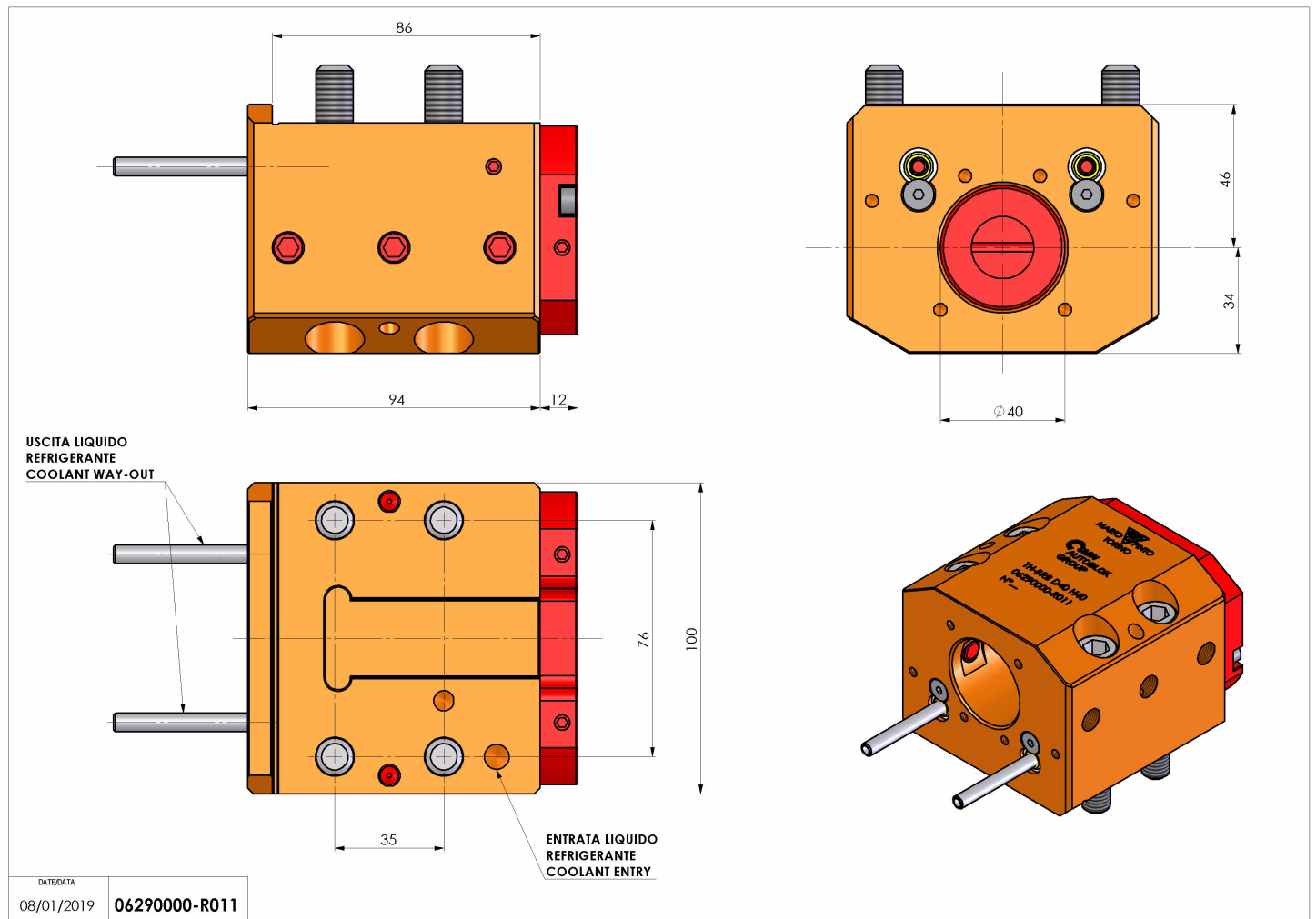
06290000 - TH-BRB D40 H40

Type	TH-BRB Boring bar holder
Mounting	CYLINDRICAL SHANK 32
Tool output	Boring Bar Holder 40
Coolant	External / Internal coolant
H [mm]	40



Accessories	N.A.
Notes	N.A.
Mounting tips	N.A.

Always check live tool dimensions on the turret



DATE/DATE	08/01/2019	06290000-R011
-----------	------------	---------------

Subject to technical changes