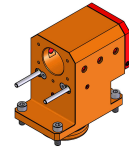


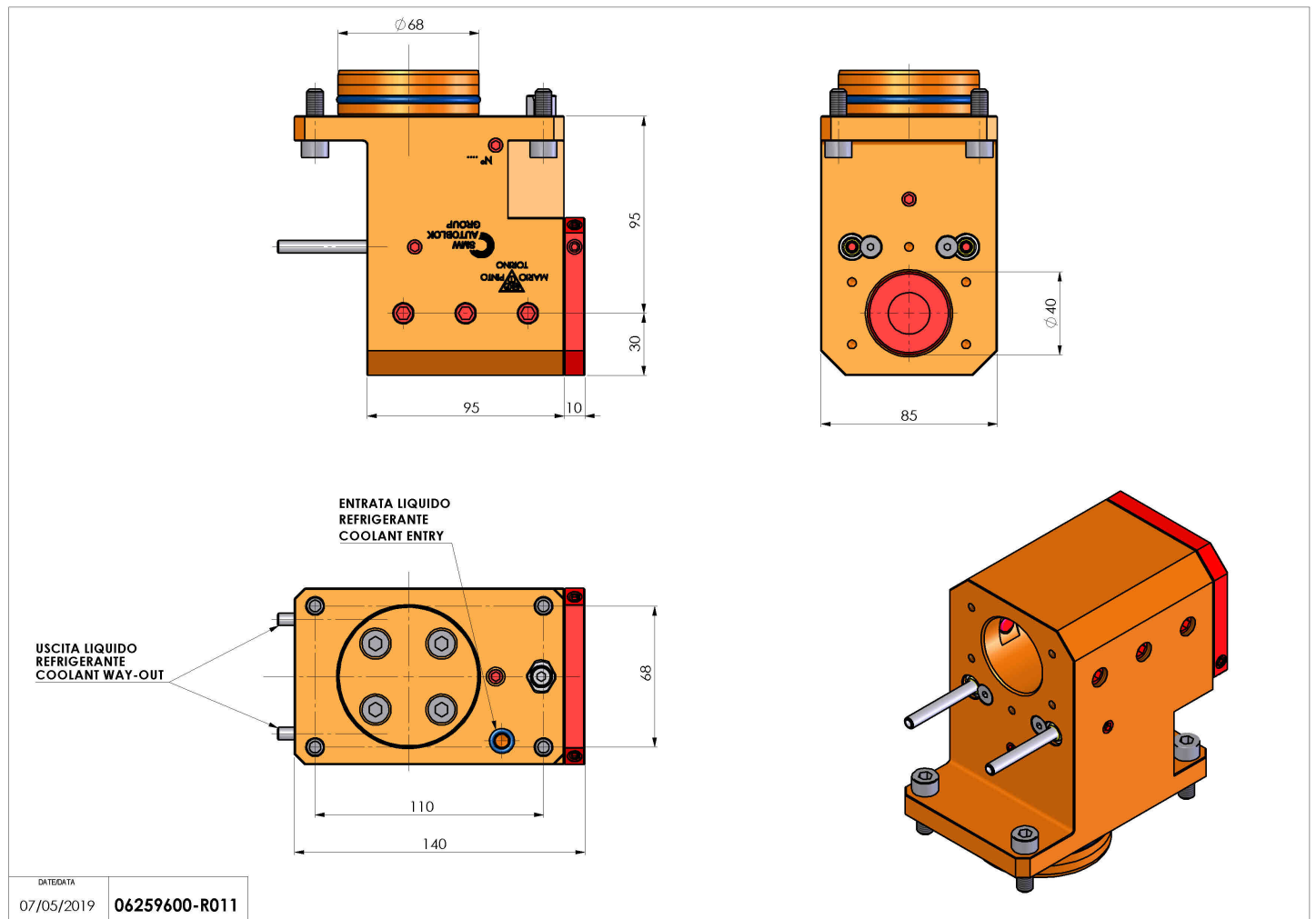
06259600 - TH-BRB D68 D40 OFS H95

| | |
|-------------|-----------------------------|
| Type | TH-BRB Boring bar holder |
| Mounting | CYLINDRICAL SHANK 68 |
| Tool output | Boring Bar Holder 40 |
| Coolant | External / Internal coolant |
| H [mm] | 95 |



| | |
|---------------|------|
| Accessories | N.A. |
| Notes | N.A. |
| Mounting tips | N.A. |

Always check live tool dimensions on the turret



Subject to technical changes