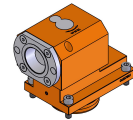


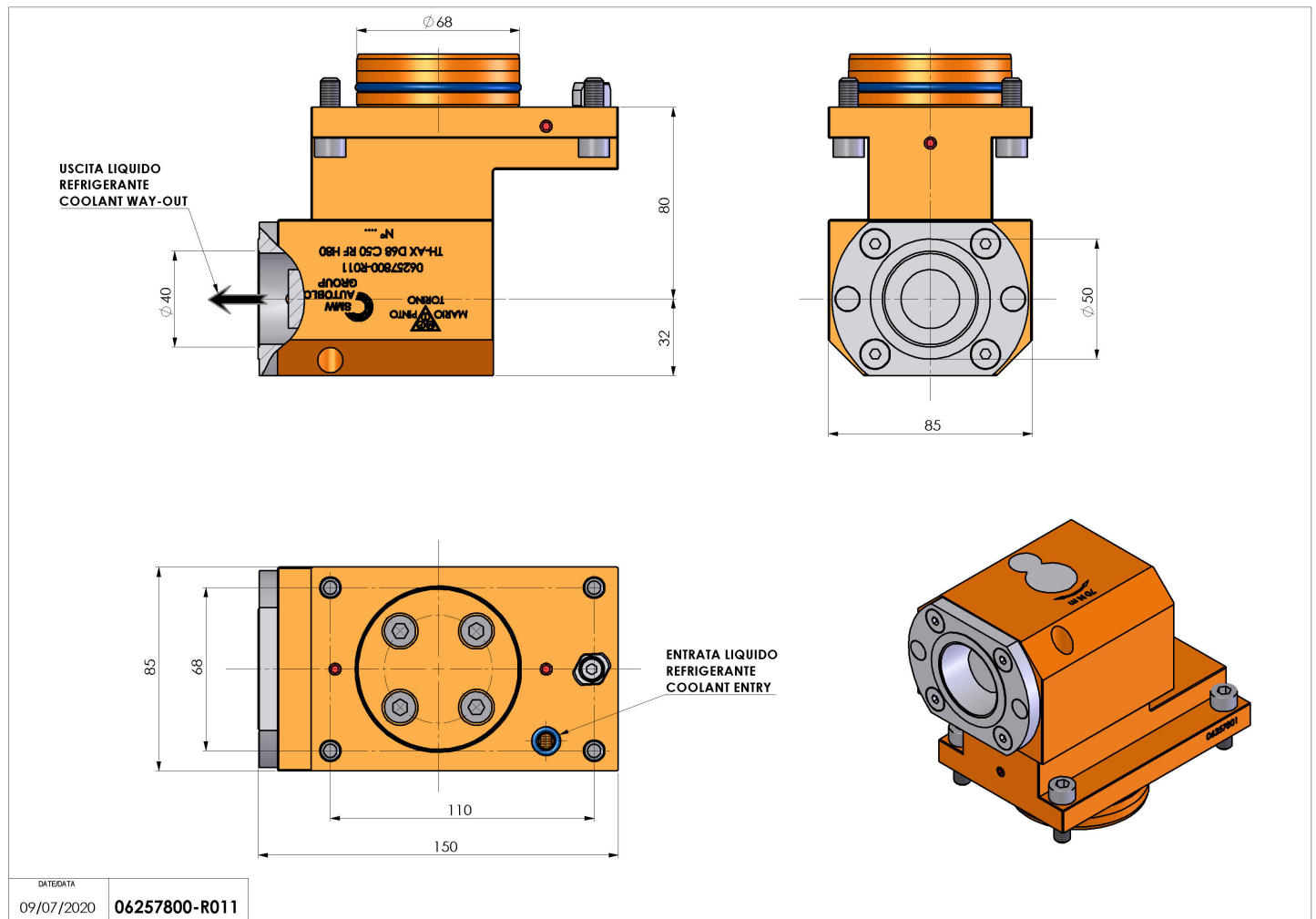
## 06257800 - TH-AX D68 C50 RF H80

Type	TH-AX Axial Tool holder
Mounting	CYLINDRICAL SHANK 68
Tool output	Polygonal shank C50 ISO 26623-1
Coolant	Internal coolant
H [mm]	80



Accessories	N.A.
Notes	N.A.
Mounting tips	N.A.

Always check live tool dimensions on the turret



DATE/DATE	09/07/2020
06257800-R011	

Subject to technical changes