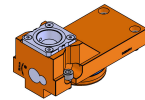


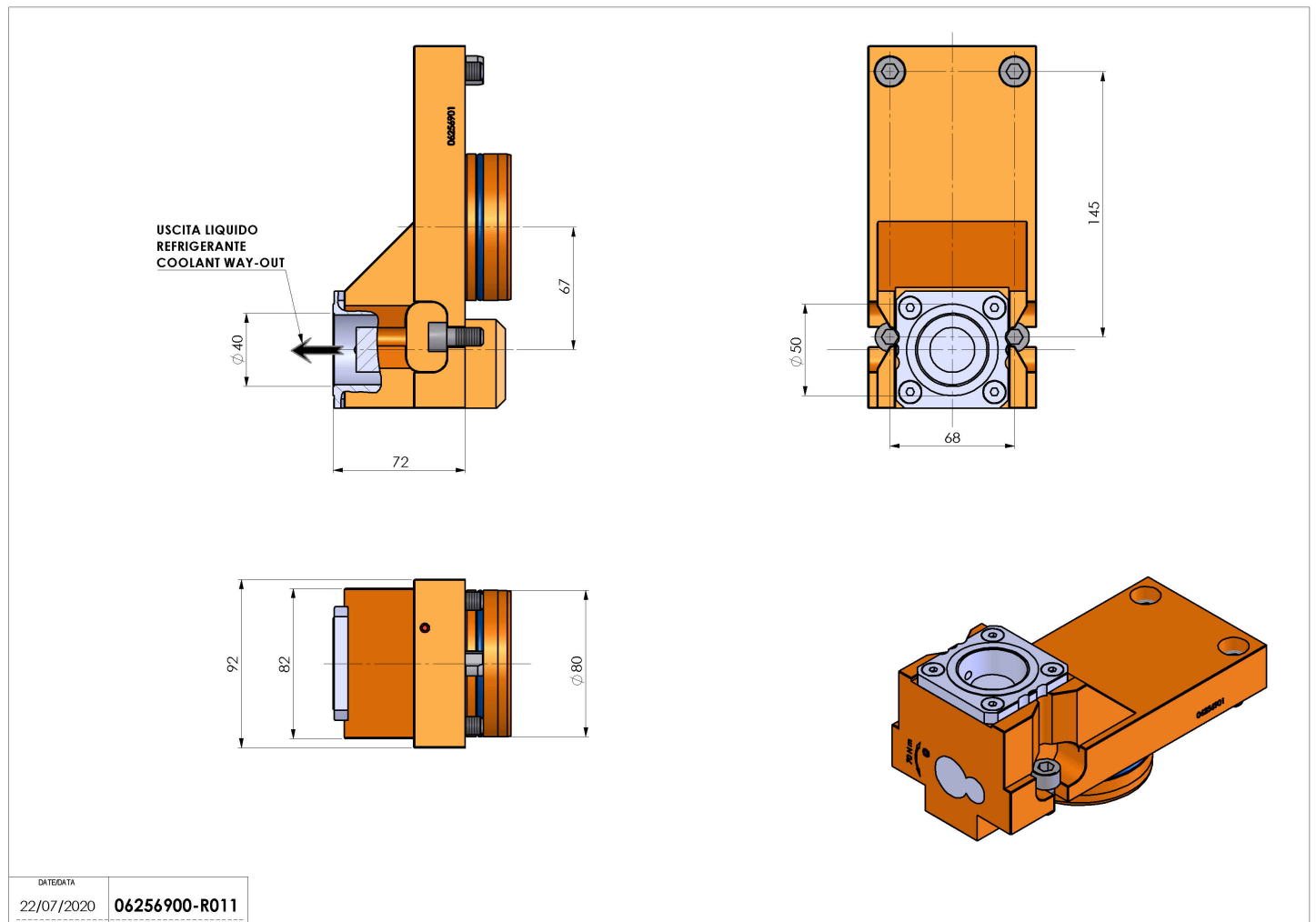
## 06256900 - TH-RAD D80 C50 RF H70

<b>Type</b>	TH-RAD Radial Tool holder
<b>Mounting</b>	CYLINDRICAL SHANK 80
<b>Tool output</b>	Polygonal shank C50 ISO 26623-1
<b>Coolant</b>	Internal coolant
<b>H [mm]</b>	70



<b>Accessories</b>	N.A.
<b>Notes</b>	N.A.
<b>Mounting tips</b>	N.A.

Always check live tool dimensions on the turret



DATE/DATE	06256900-R011
22/07/2020	

Subject to technical changes