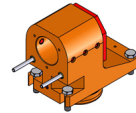


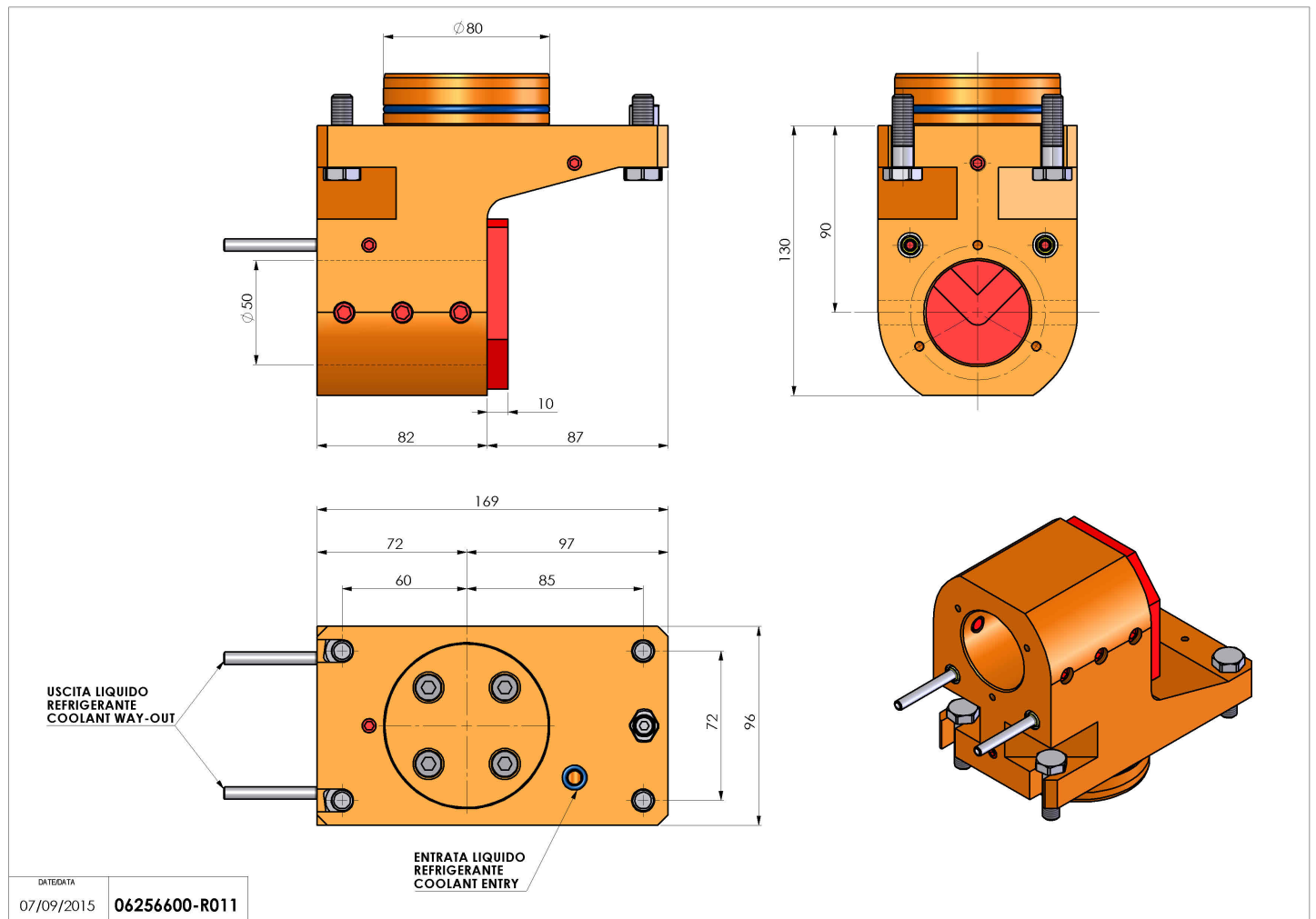
06256600 - TH-BRB D80 D50 H90 MZ

| | |
|--------------------|-----------------------------|
| Type | TH-BRB Boring bar holder |
| Mounting | CYLINDRICAL SHANK 80 |
| Tool output | Boring Bar Holder 50 |
| Coolant | External / Internal coolant |
| H [mm] | 90 |



| | |
|----------------------|------|
| Accessories | N.A. |
| Notes | N.A. |
| Mounting tips | N.A. |

Always check live tool dimensions on the turret



Subject to technical changes