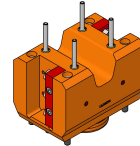


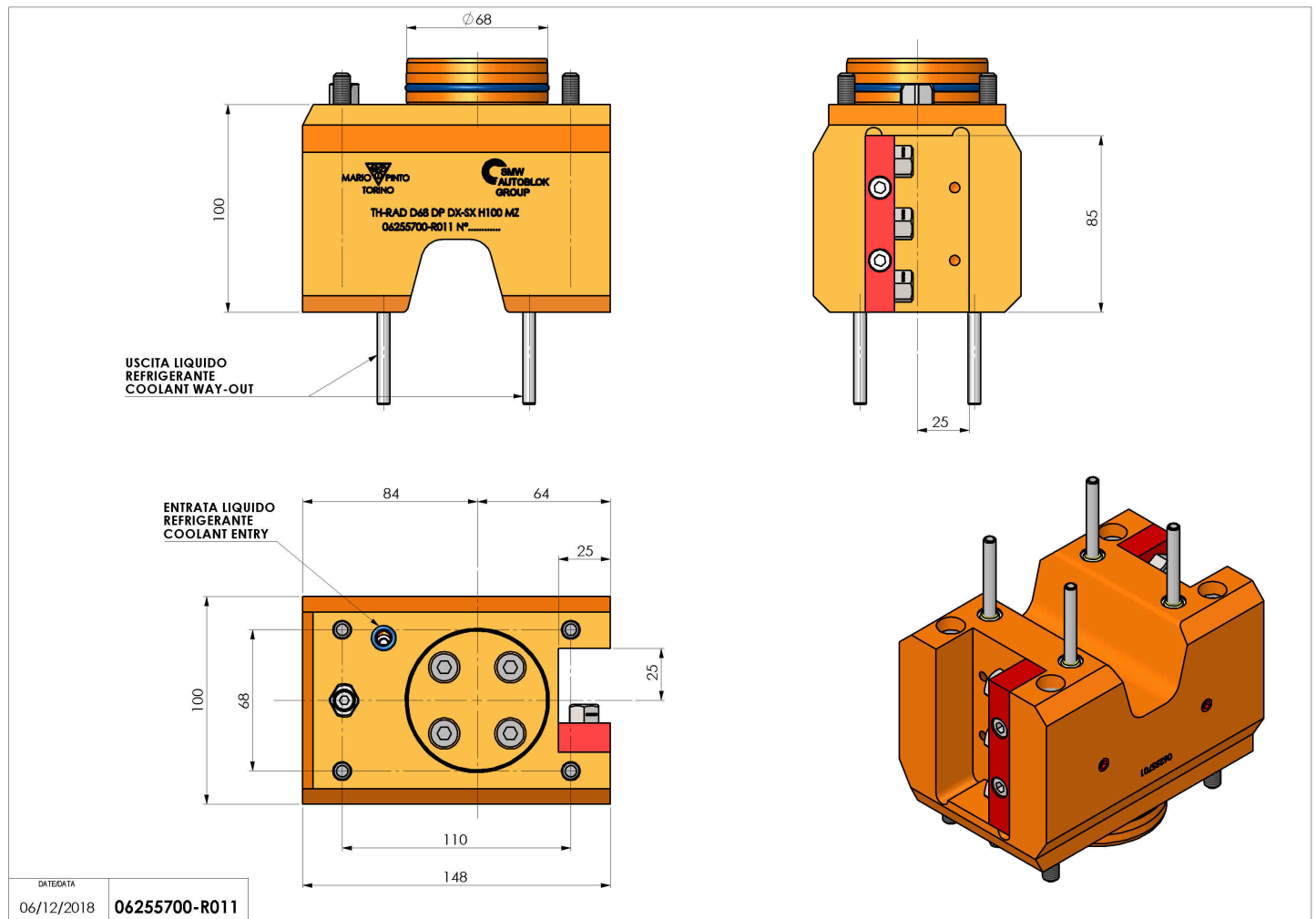
06255700 - TH-RAD D68 DP DX-SX H100 MZ

Type	TH-RAD Radial Tool holder
Mounting	CYLINDRICAL SHANK 68
Tool output	Radial Square Tool Holder 25x25
Coolant	External coolant
H [mm]	100



Accessories	N.A.
Notes	N.A.
Mounting tips	Main and secondary spindle

Always check live tool dimensions on the turret



Subject to technical changes