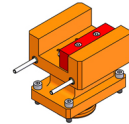


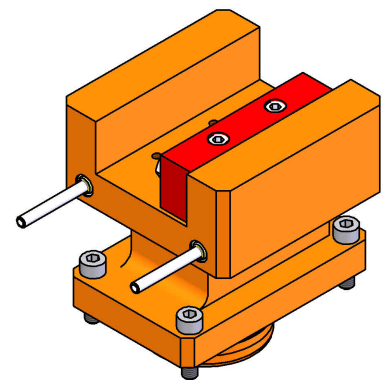
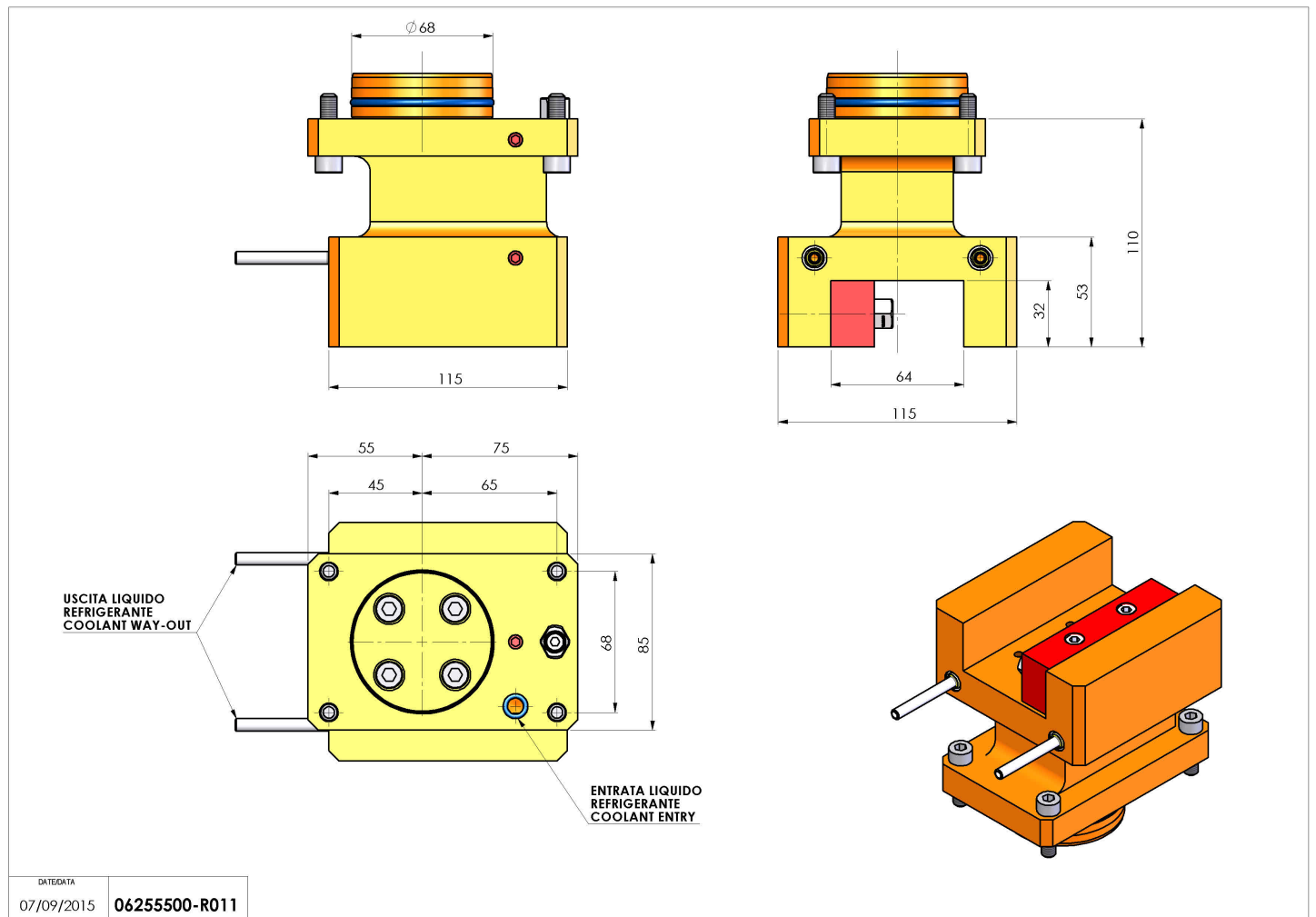
06255500 - TH-AX D68 H110 Q32 L-R MZ

Type	TH-AX Axial Tool holder
Mounting	CYLINDRICAL SHANK 68
Tool output	Axial Square Tool Holder 32x32
Coolant	External coolant
H [mm]	110



Accessories	N.A.
Notes	N.A.
Mounting tips	N.A.

Always check live tool dimensions on the turret



Subject to technical changes

DATE/DATE	07/09/2015	06255500-R011
-----------	------------	---------------