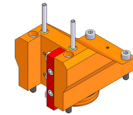


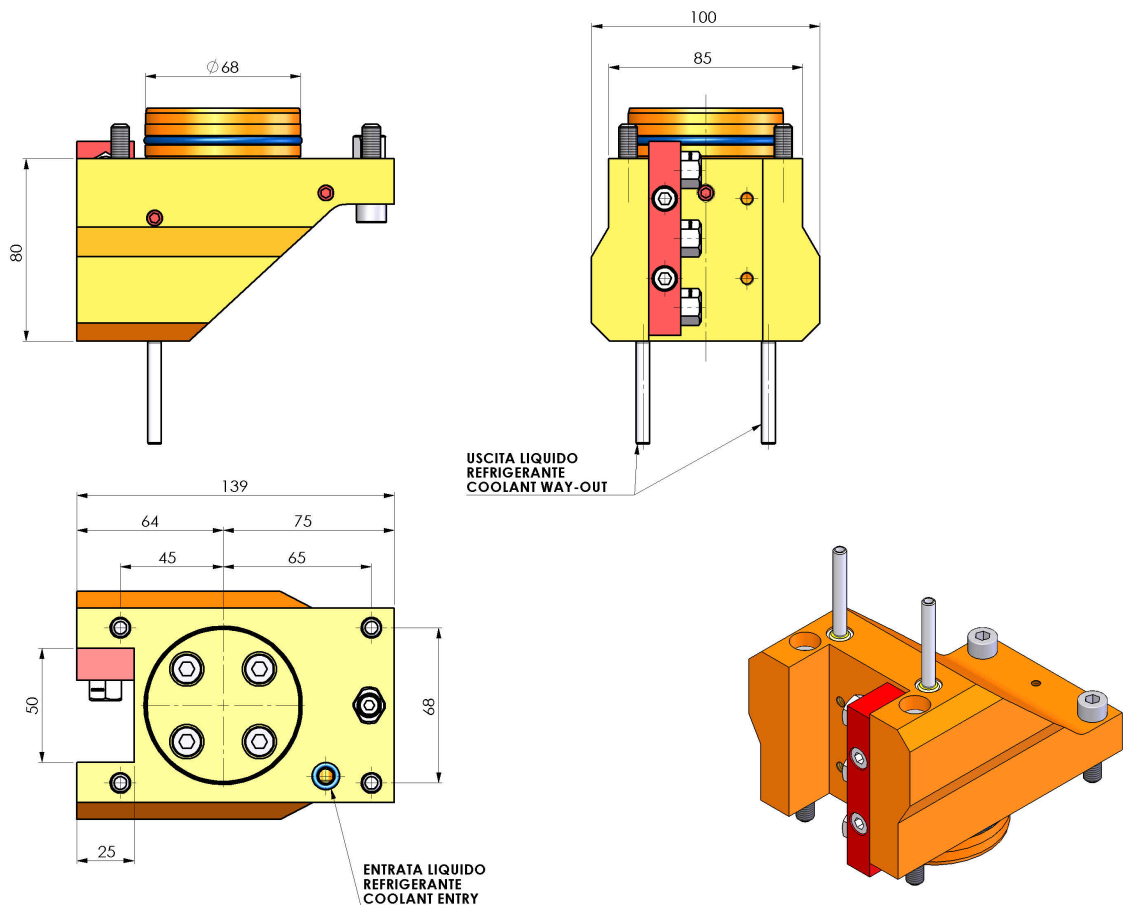
## 06255100 - TH-RAD D68 H80 DX-SX MZ

|             |                                 |
|-------------|---------------------------------|
| Type        | TH-RAD<br>Radial Tool holder    |
| Mounting    | CYLINDRICAL SHANK 68            |
| Tool output | Radial Square Tool Holder 25x25 |
| Coolant     | External coolant                |
| H [mm]      | 80                              |



|               |      |
|---------------|------|
| Accessories   | N.A. |
| Notes         | N.A. |
| Mounting tips | N.A. |

Always check live tool dimensions on the turret



|           |               |
|-----------|---------------|
| DATE/DATE | 07/09/2015    |
|           | 06255100-R011 |

Subject to technical changes