

## 06254300 - TH-AX VDI50 C50 RF H175

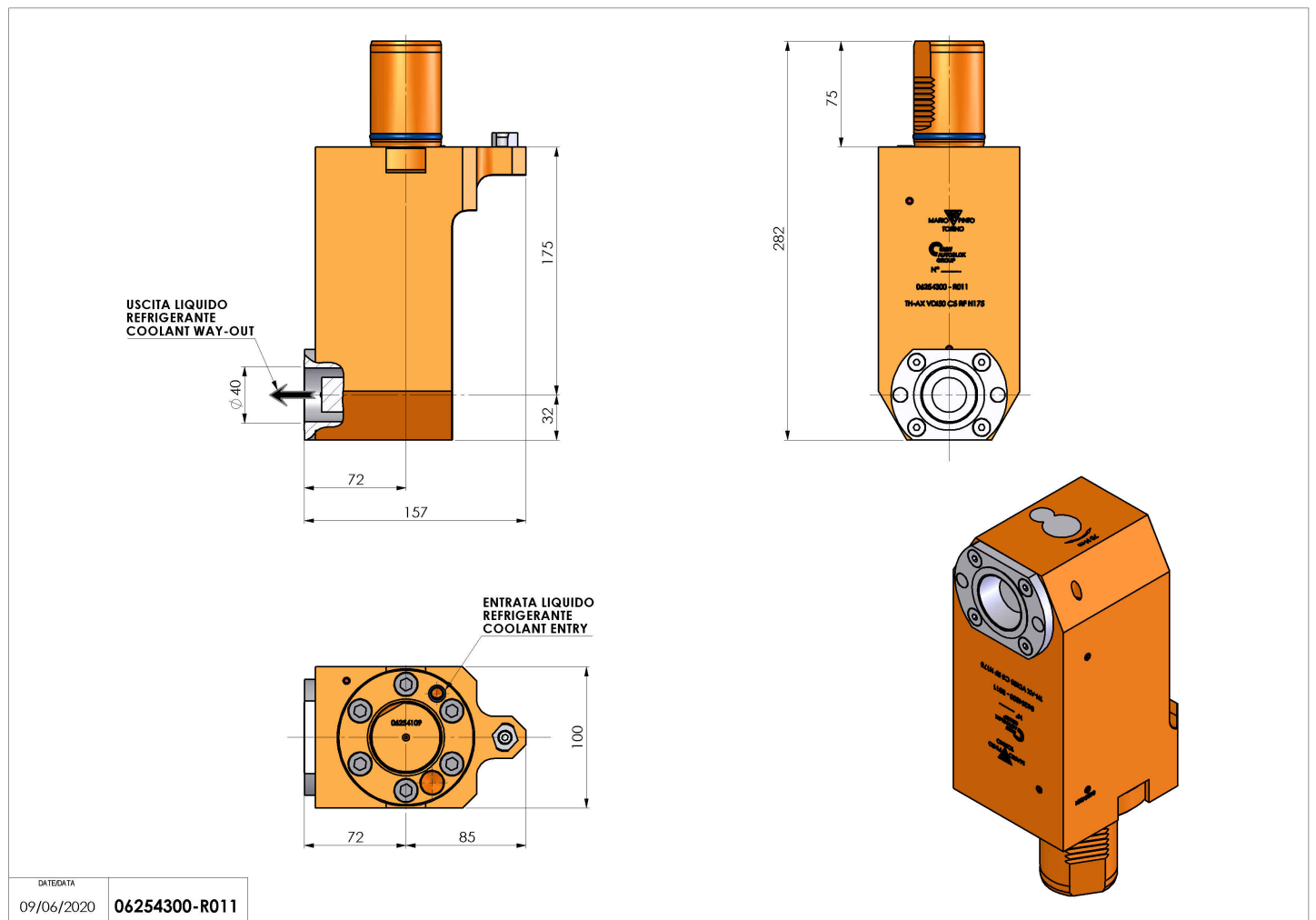
Type	TH-AX Axial Tool holder
Mounting	VDI 50
Tool output	Polygonal shank C50 ISO 26623-1
Coolant	Internal coolant
H [mm]	175



Accessories	N.A.
Notes	N.A.
Mounting tips	N.A.

**ATTENTION: CHECK THE ORIENTATION OF THE VDI TEETH**

Always check live tool dimensions on the turret



DATE/DATA	09/06/2020
	06254300-R011

Subject to technical changes