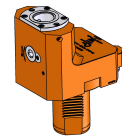


## 06254100 - TH-RAD VDI50 C40 RF H105

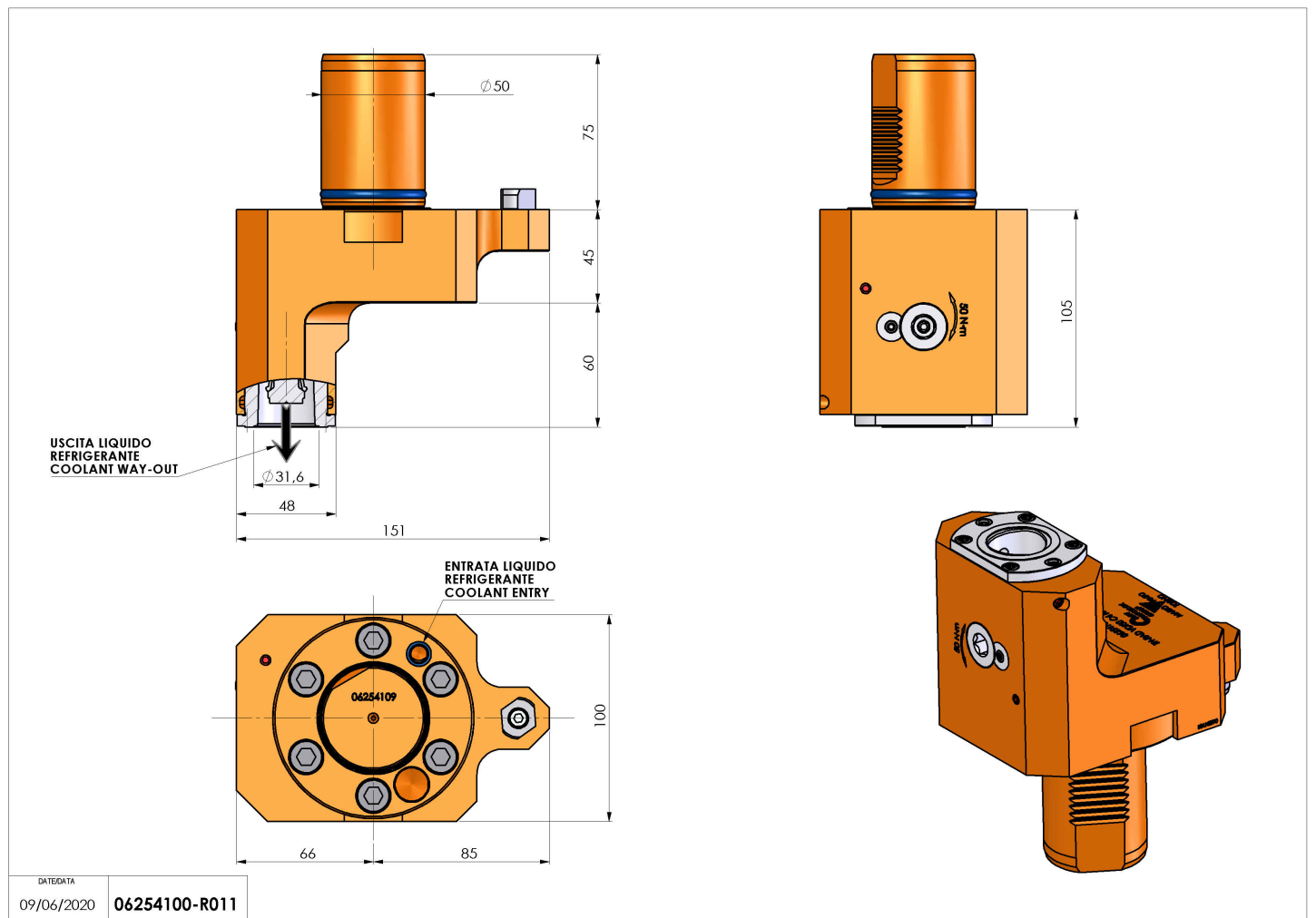
Type	TH-RAD Radial Tool holder
Mounting	VDI 50
Tool output	Polygonal shank C40 ISO 26623-1
Coolant	Internal coolant
H [mm]	105



Accessories	N.A.
Notes	N.A.
Mounting tips	N.A.

**ATTENTION: CHECK THE ORIENTATION OF THE VDI TEETH**

Always check live tool dimensions on the turret



Subject to technical changes