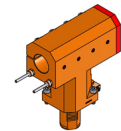


06253500 - TH-BRB VDI50 D50H155L210 RF MZ

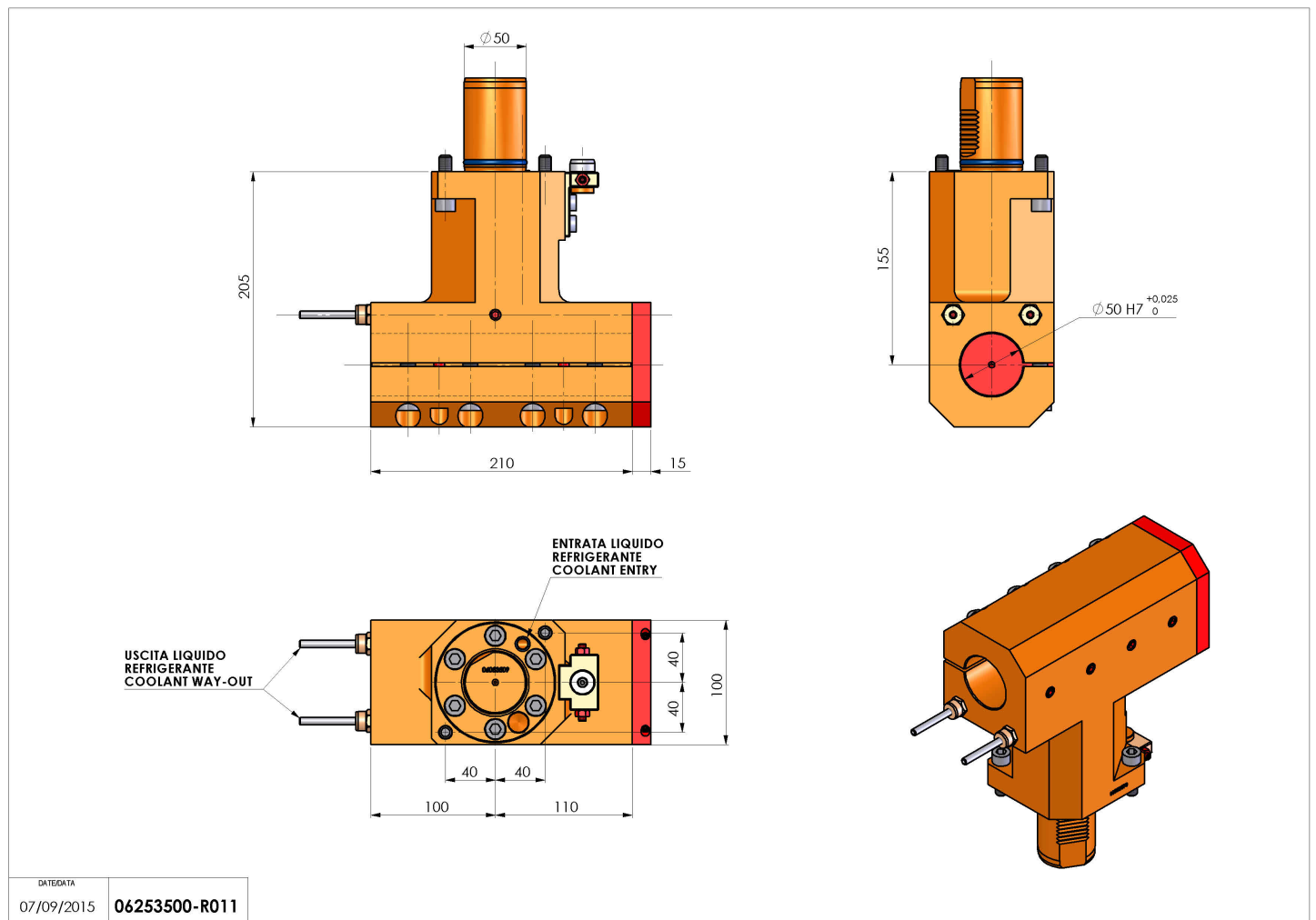
Type	TH-BRB Boring bar holder
Mounting	VDI 50
Tool output	Boring Bar Holder 50
Coolant	External / Internal coolant
H [mm]	155



Accessories	N.A.
Notes	N.A.
Mounting tips	N.A.

ATTENTION: CHECK THE ORIENTATION OF THE VDI TEETH

Always check live tool dimensions on the turret



DATE/DATE	07/09/2015	06253500-R011
-----------	------------	---------------

Subject to technical changes