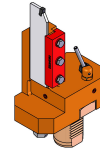


06250800 - TH-CUT VDI40 UT1-1/4" (32) SP3-5 OFS45 H140

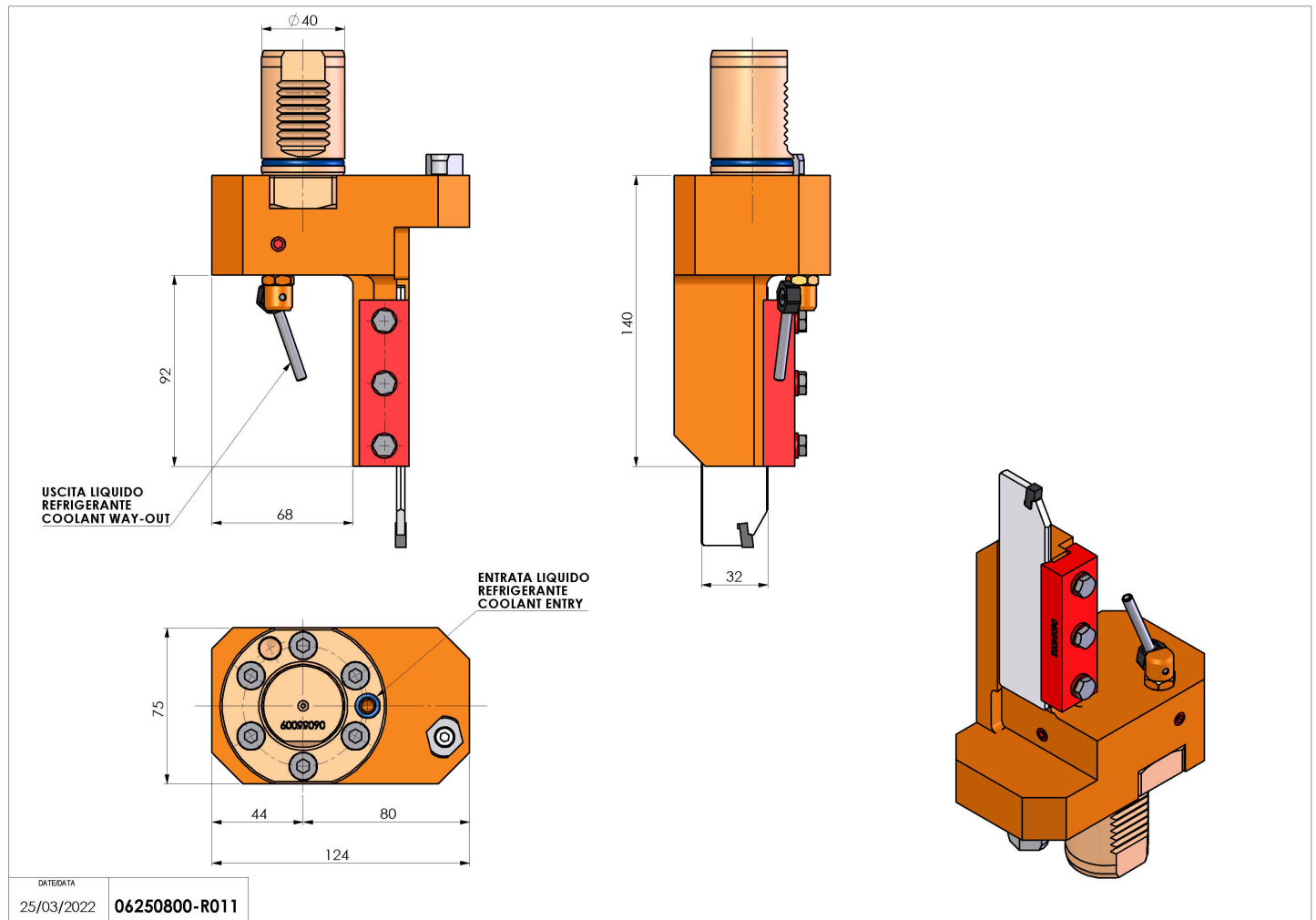
Type	TH-CUT Cutting holder
Mounting	VDI 40
Tool output	Cut Off Holder 1-1/4"(32)
Coolant	External coolant
H [mm]	140



Accessories	N.A.
Notes	N.A.
Mounting tips	N.A.

ATTENTION: CHECK THE ORIENTATION OF THE VDI TEETH

Always check live tool dimensions on the turret



Subject to technical changes