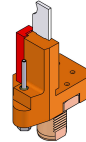


06250500 - TH-CUT VDI40 SP5 H120 L24 MZ

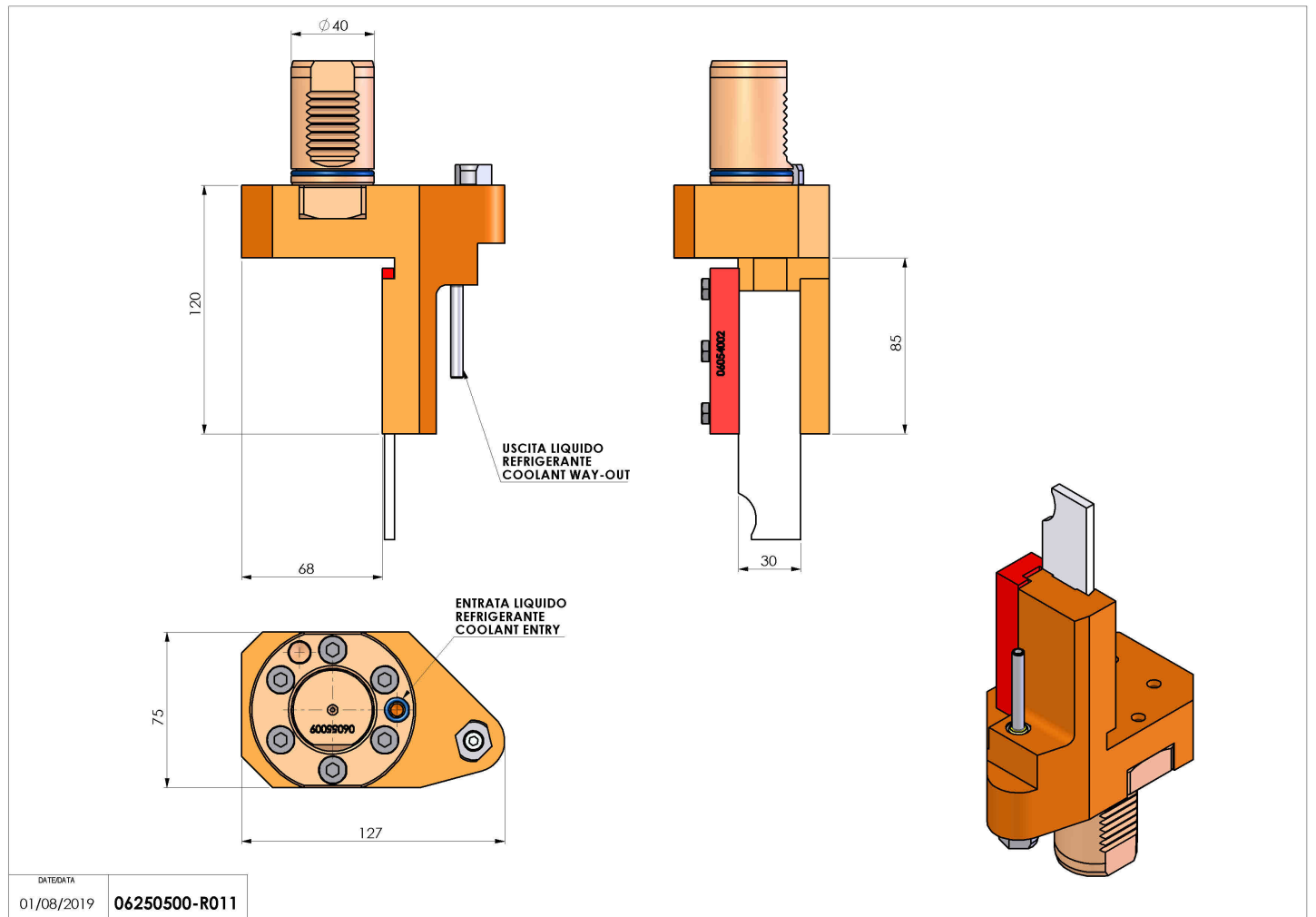
Type	TH-CUT Cutting holder
Mounting	VDI 40
Tool output	Cut Off Holder 32
Coolant	External coolant
H [mm]	120



Accessories	N.A.
Notes	N.A.
Mounting tips	N.A.

ATTENTION: CHECK THE ORIENTATION OF THE VDI TEETH

Always check live tool dimensions on the turret



DATE/DATE	01/08/2019
	06250500-R011

Subject to technical changes