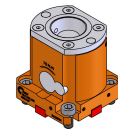


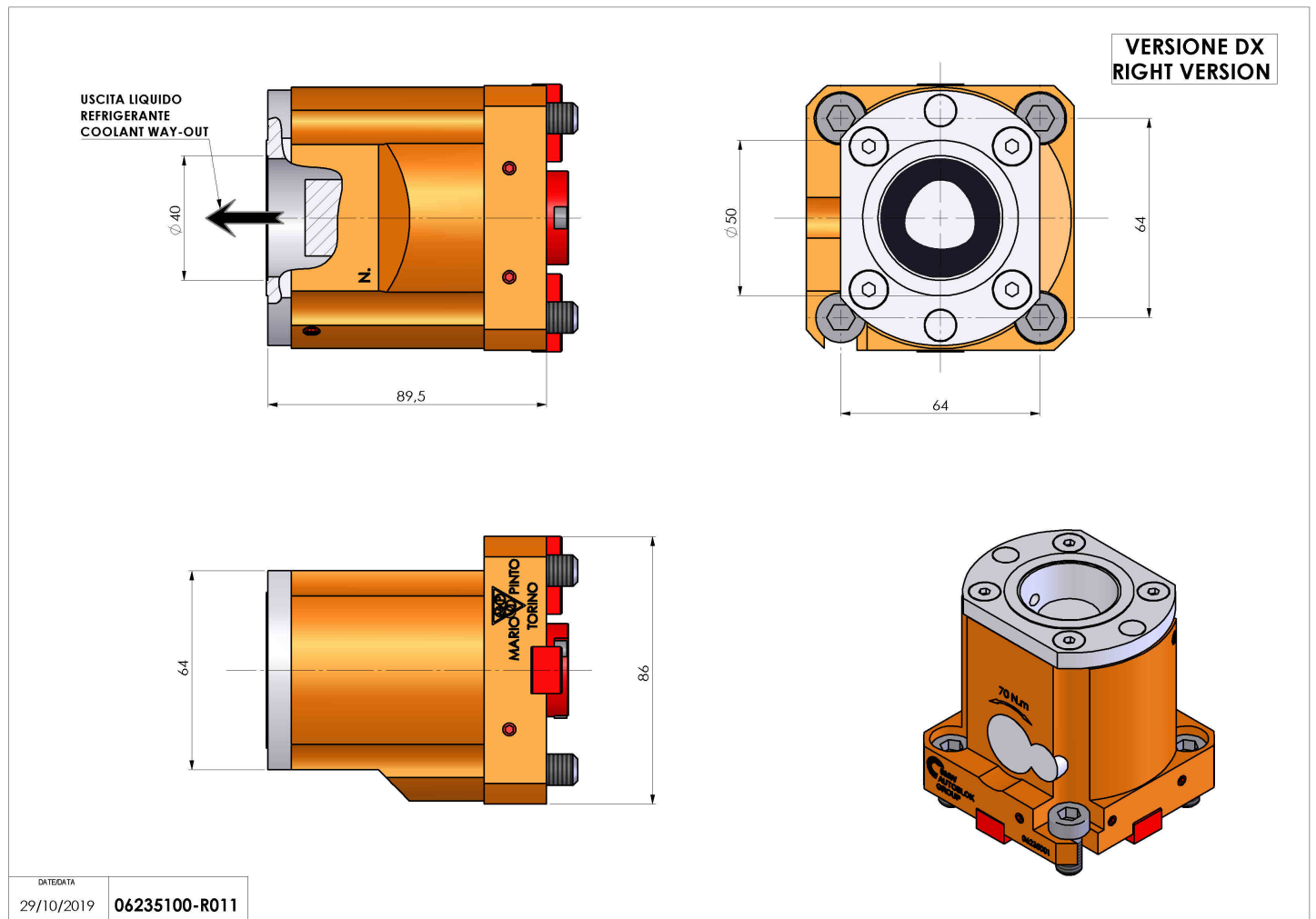
06235100 - TH-AX BMT55EM C50 R RF H90

Type	TH-AX Axial Tool holder
Mounting	BMT 55 EM
Tool output	Polygonal shank C50 ISO 26623-1
Coolant	Internal coolant
H [mm]	90



Accessories	N.A.
Notes	N.A.
Mounting tips	N.A.

Always check live tool dimensions on the turret



DATE/GATA	06235100-R011
29/10/2019	

Subject to technical changes