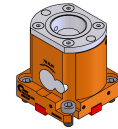


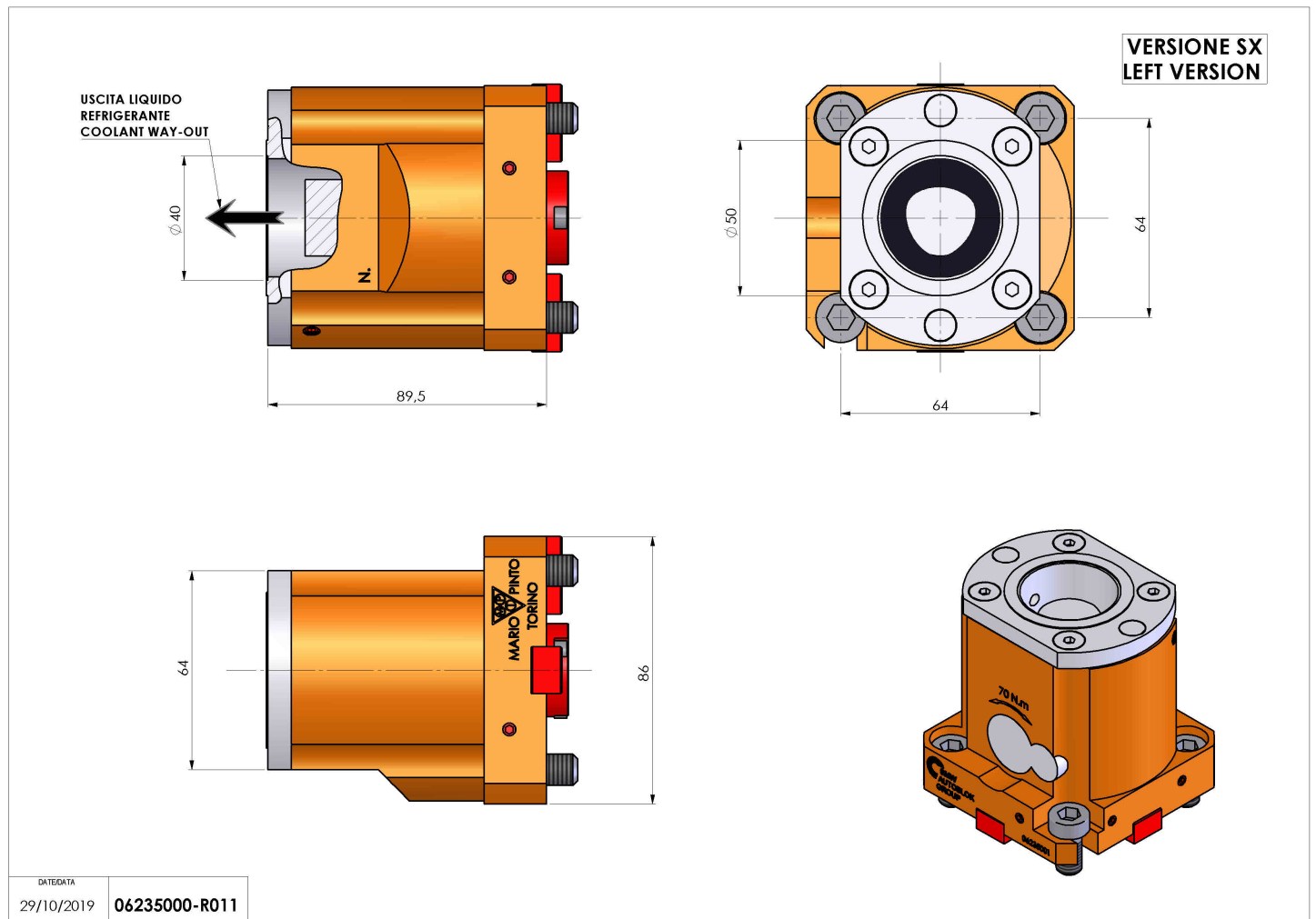
06235000 - TH-AX BMT55EM C50 L RF H90

| | |
|-------------|---------------------------------|
| Type | TH-AX Axial Tool holder |
| Mounting | BMT 55 EM |
| Tool output | Polygonal shank C50 ISO 26623-1 |
| Coolant | Internal coolant |
| H [mm] | 90 |



| | |
|---------------|------|
| Accessories | N.A. |
| Notes | N.A. |
| Mounting tips | N.A. |

Always check live tool dimensions on the turret



| | |
|-----------|---------------|
| DATE/GATE | 06235000-R011 |
|-----------|---------------|

Subject to technical changes