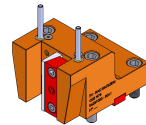


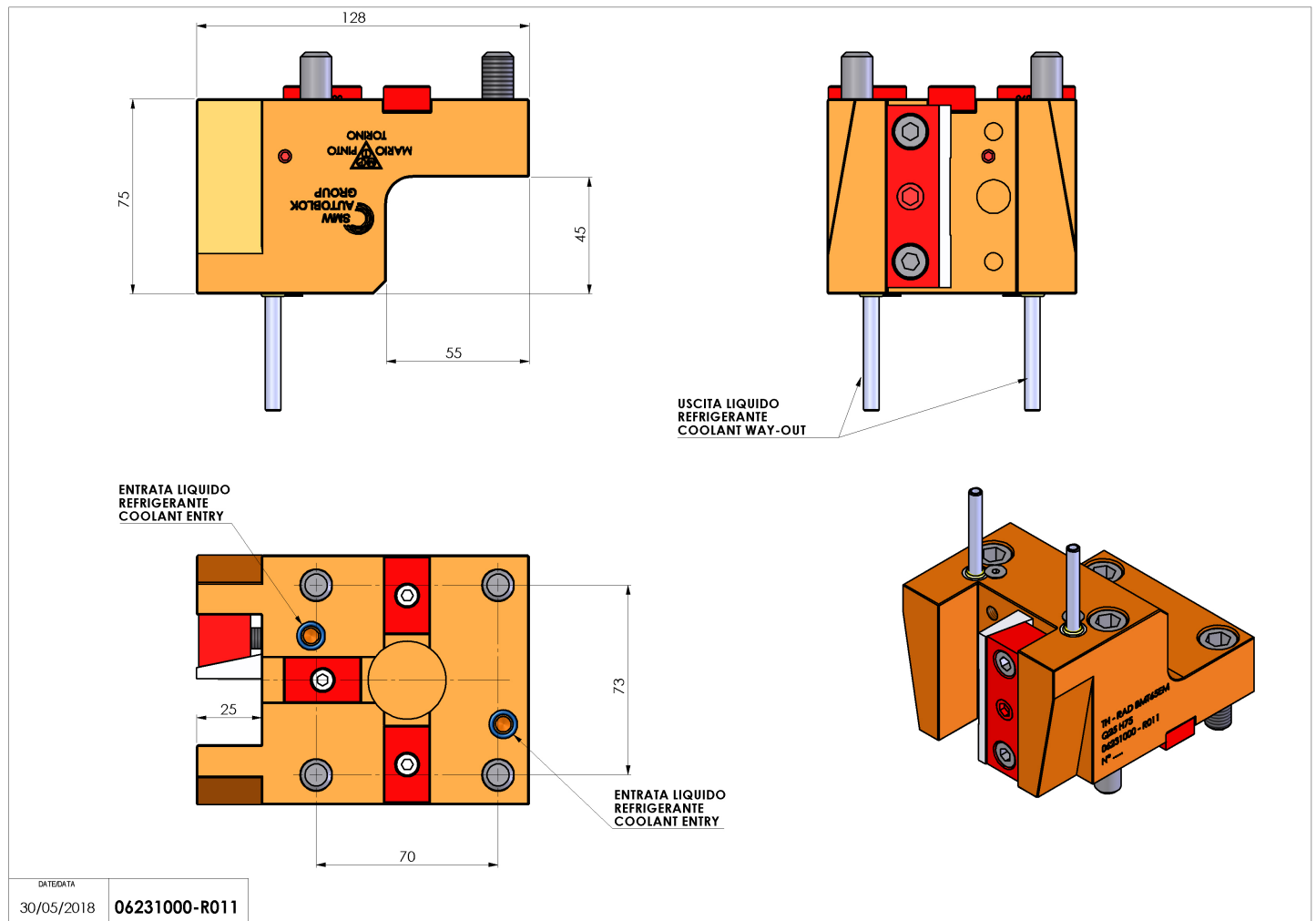
## 06231000 - TH-RAD BMT65EM Q25 H75

|             |                                 |
|-------------|---------------------------------|
| Type        | TH-RAD<br>Radial Tool holder    |
| Mounting    | BMT 65 EM                       |
| Tool output | Radial Square Tool Holder 25x25 |
| Coolant     | External coolant                |
| H [mm]      | 75                              |



|               |      |
|---------------|------|
| Accessories   | N.A. |
| Notes         | N.A. |
| Mounting tips | N.A. |

Always check live tool dimensions on the turret



Subject to technical changes