

06230600 - TH-AX BMT55EM4 KM50 H70

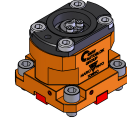
Type TH-AX
Axial Tool holder

Mounting BMT 55 EM

Tool output Axial KM50 Tool Holder

Coolant Internal coolant

H [mm] 70

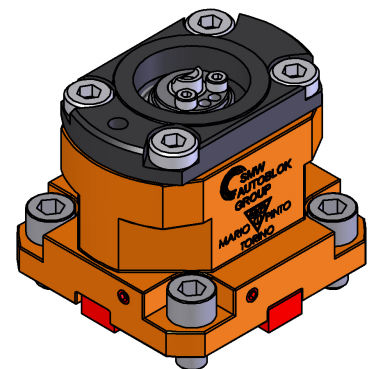
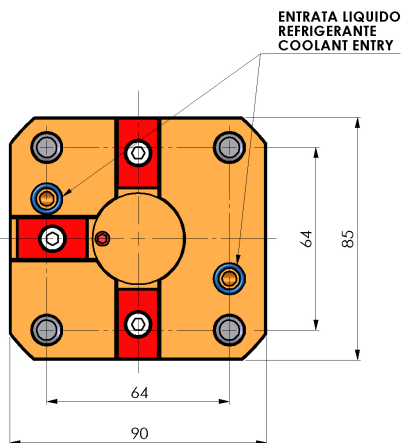
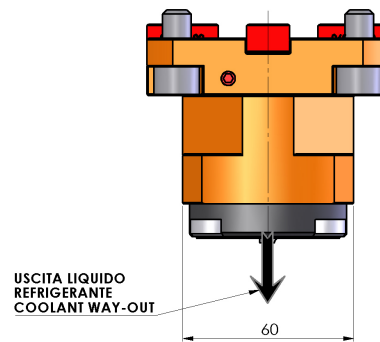
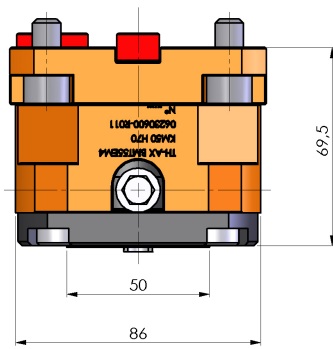


Accessories N.A.

Notes N.A.

Mounting tips N.A.

Always check live tool dimensions on the turret



DATE/DATE
05/12/2017 **06230600-R011**

Subject to technical changes