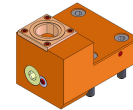


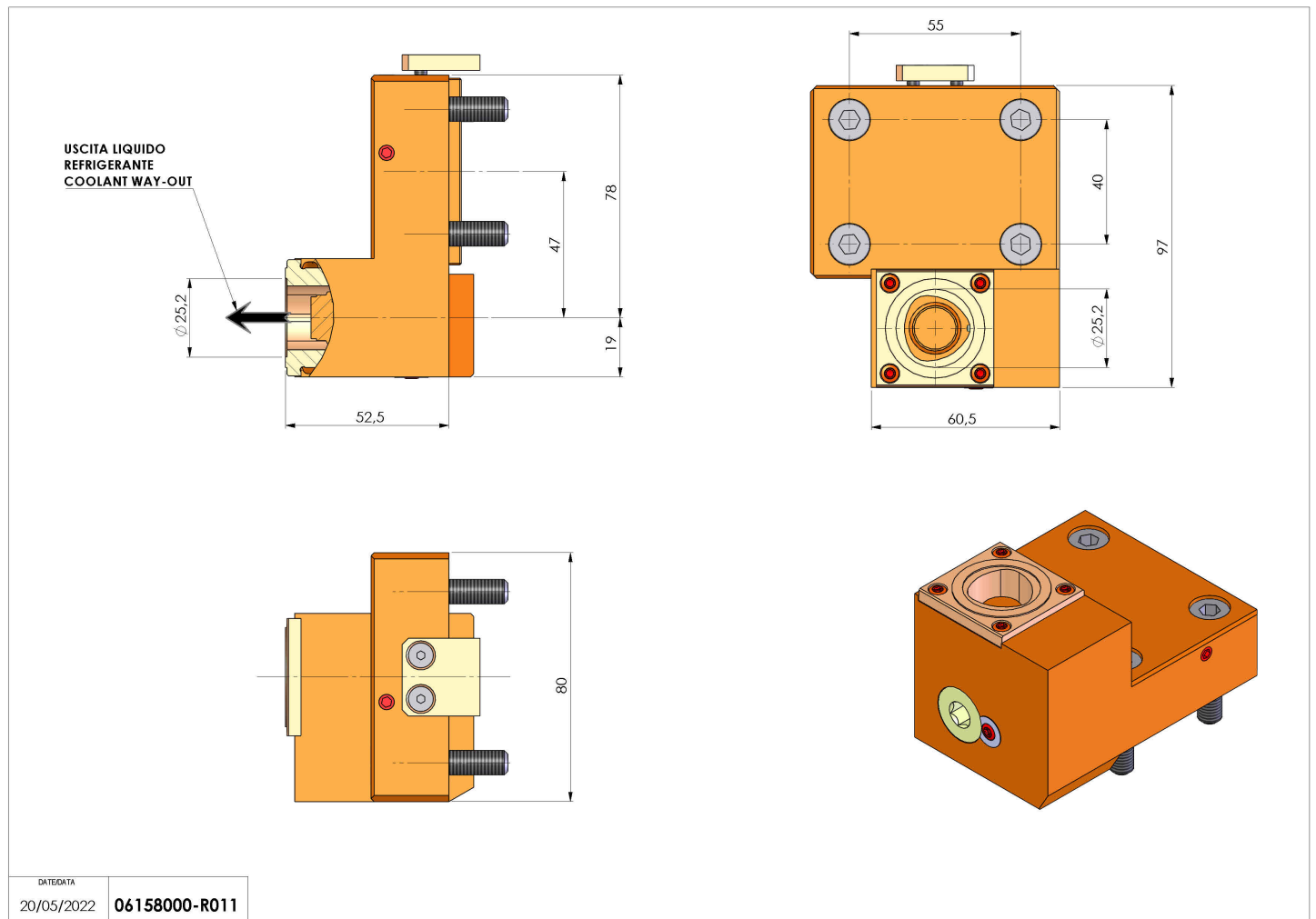
06158000 - TH-RAD D44 C32 RF OFS-47 H52.5

Type	TH-RAD Radial Tool holder
Mounting	CYLINDRICAL SHANK 44
Tool output	Polygonal shank C32 ISO 26623-1
Coolant	Internal coolant
H [mm]	52.5



Accessories	N.A.
Notes	N.A.
Mounting tips	N.A.

Always check live tool dimensions on the turret



DATE/DATE	06158000-R011
20/05/2022	

Subject to technical changes