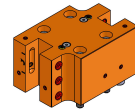
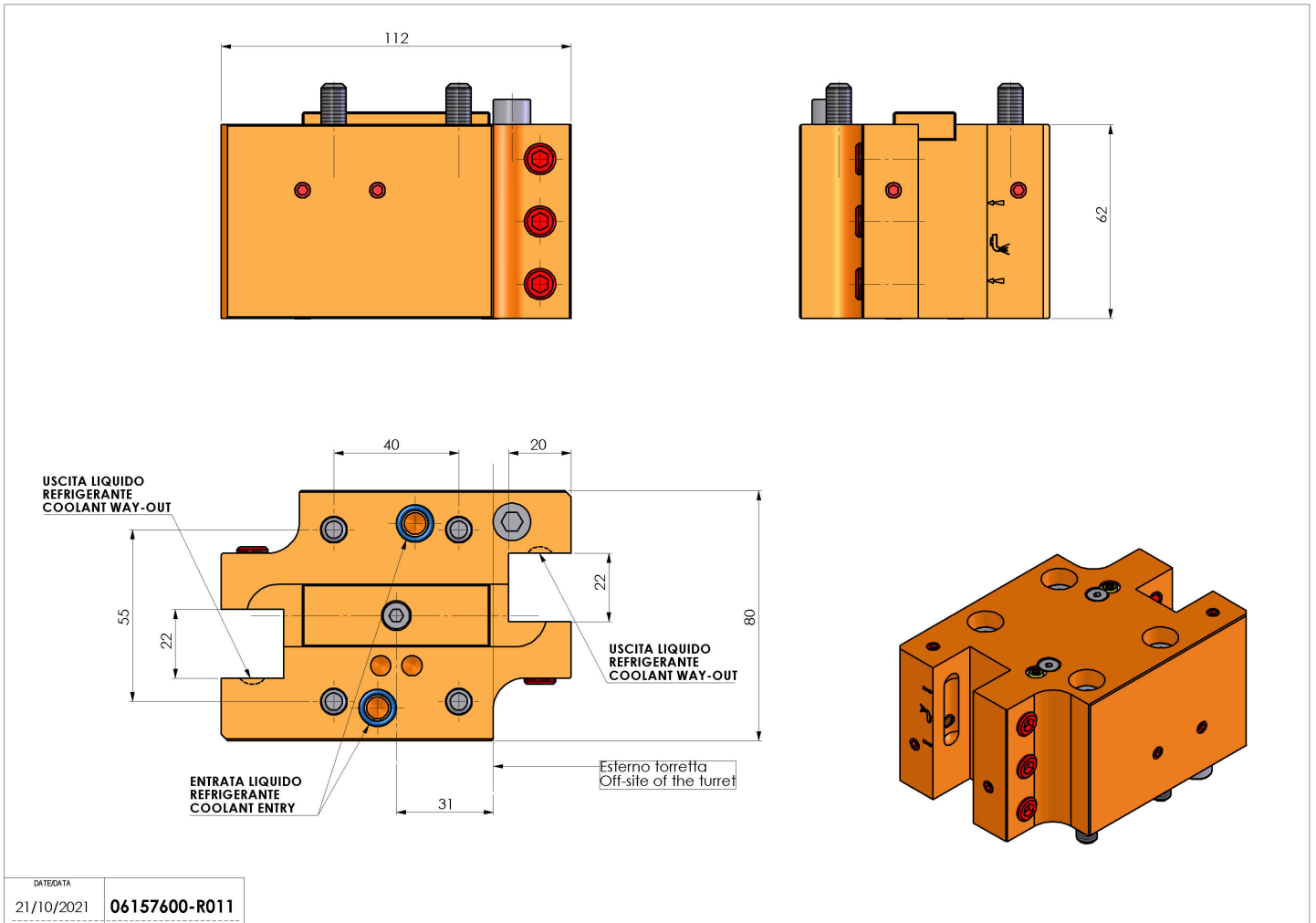


06157600 - TH-RAD D44 Q20 DP HRF H62

Type	TH-RAD Radial Tool holder
Mounting	CYLINDRICAL SHANK 44
Tool output	Radial Square Tool Holder 20x20
Coolant	HRF Internal/external coolant
H [mm]	62
Max pressure [bar]	80
Accessories	N.A.
Notes	N.A.
Mounting tips	N.A.



Always check live tool dimensions on the turret



DATE/GATE	06157600-R011
-----------	---------------

Subject to technical changes