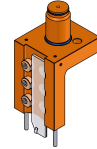


06155300 - TH-CUT VDI40 UT32 HH135

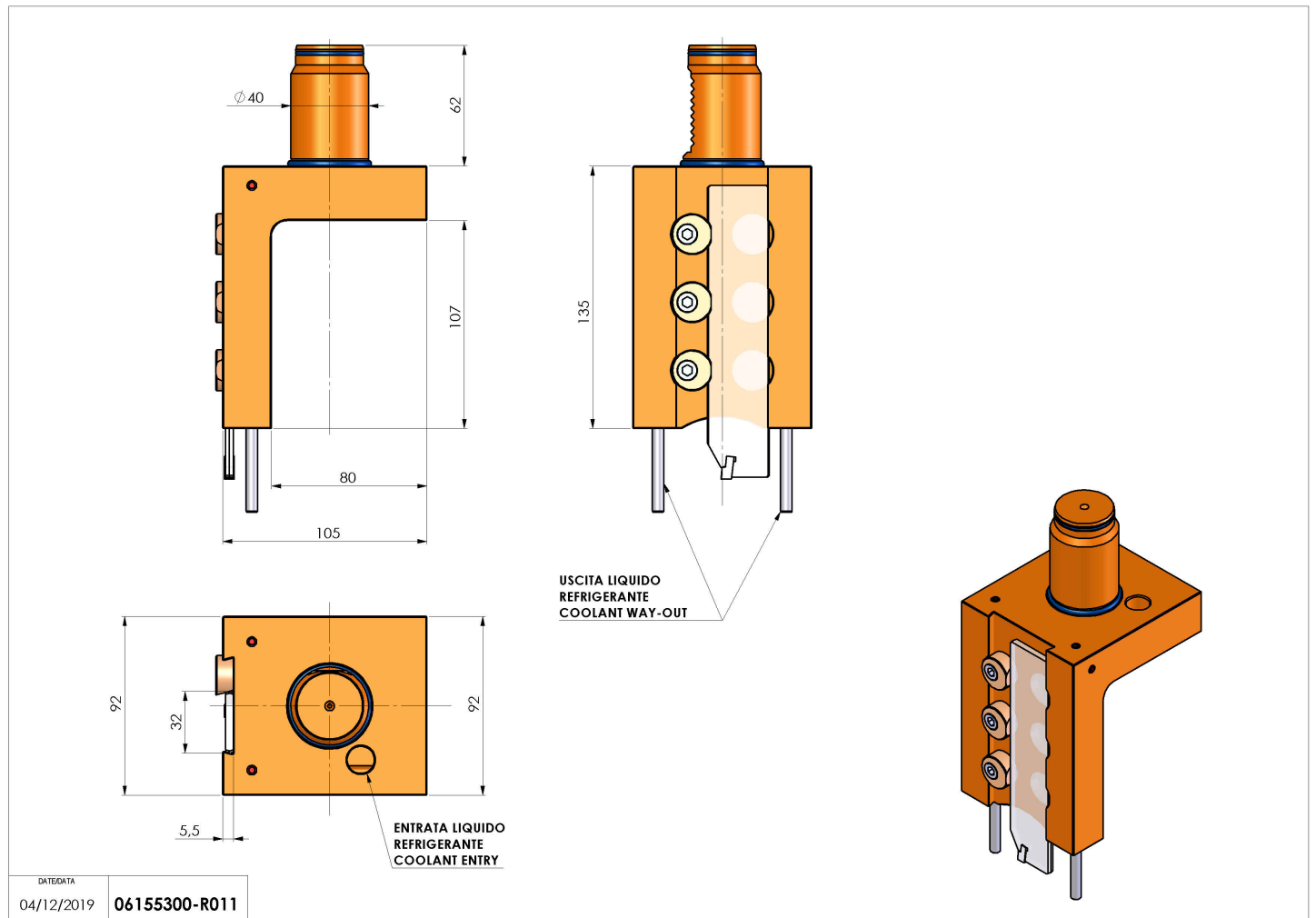
Type	TH-CUT Cutting holder
Mounting	VDI 40
Tool output	Cut Off Holder 32
Coolant	External coolant
H [mm]	135



Accessories	N.A.
Notes	N.A.
Mounting tips	N.A.

ATTENTION: CHECK THE ORIENTATION OF THE VDI TEETH

Always check live tool dimensions on the turret



DATE/DATA	04/12/2019
	06155300-R011

Subject to technical changes