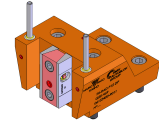


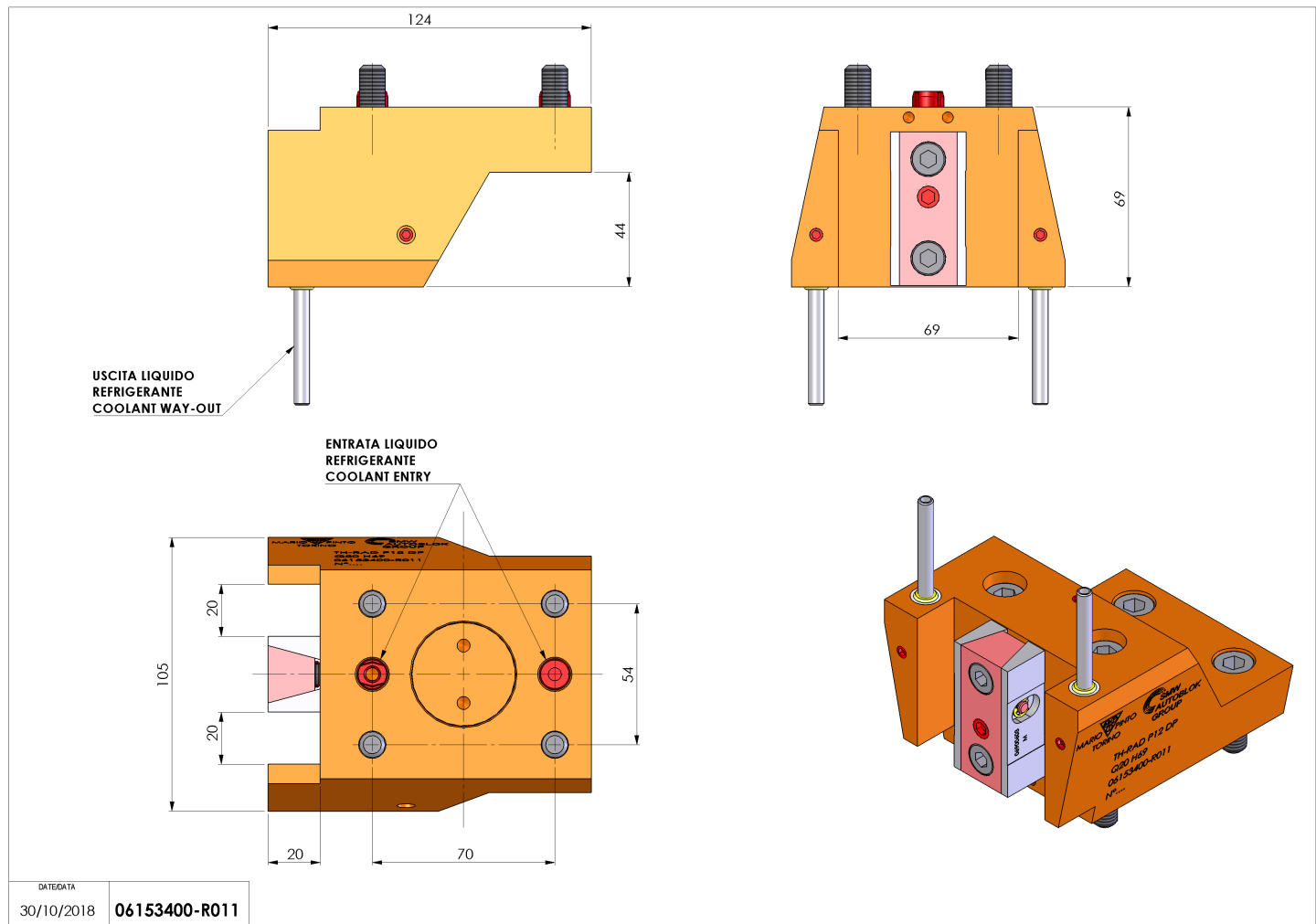
06153400 - TH-RAD P12 DP Q20 H69

Type	TH-RAD Radial Tool holder
Mounting	CYLINDRICAL SHANK 40
Tool output	Radial Square Tool Holder 20x20
Coolant	External coolant
H [mm]	69



Accessories	N.A.
Notes	N.A.
Mounting tips	N.A.

Always check live tool dimensions on the turret



Subject to technical changes