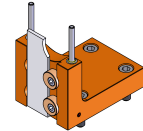


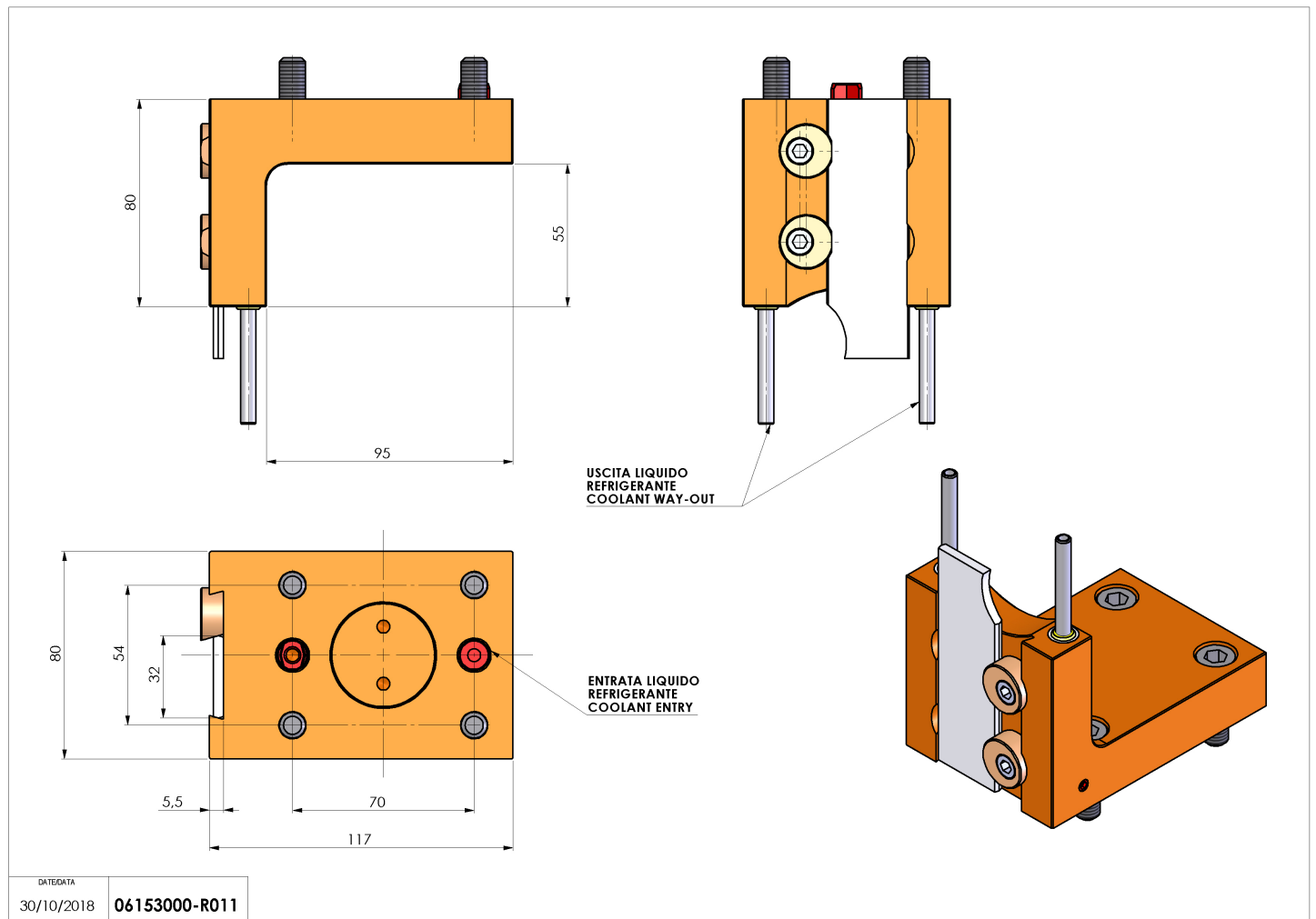
06153000 - TH-CUT P12 UT32 H80

Type	TH-CUT Cutting holder
Mounting	CYLINDRICAL SHANK 40
Tool output	Cut Off Holder 32
Coolant	External coolant
H [mm]	80



Accessories	N.A.
Notes	N.A.
Mounting tips	N.A.

Always check live tool dimensions on the turret



Subject to technical changes