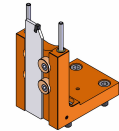


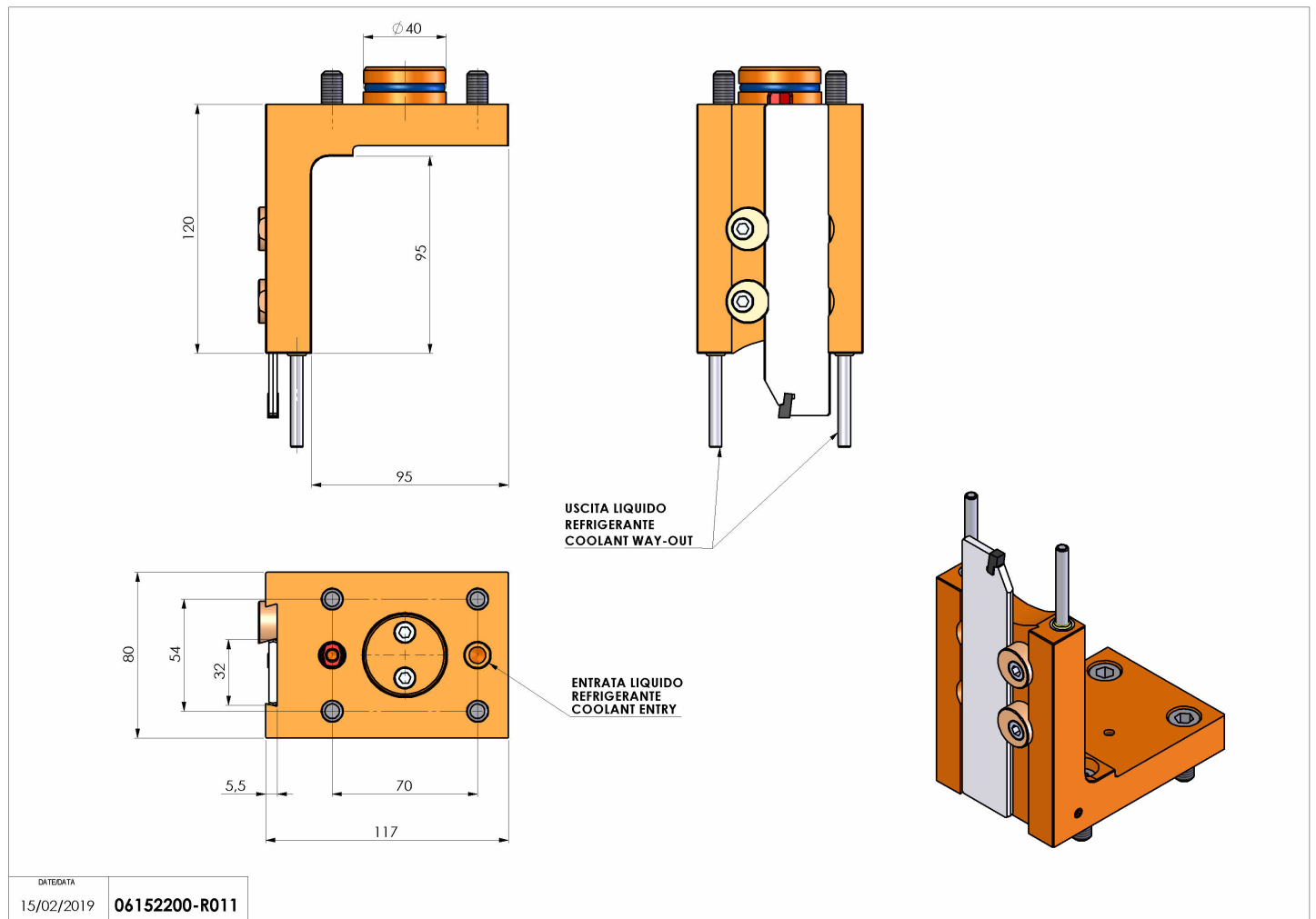
06152200 - TH-CUT D40 UT32 H120

Type	TH-CUT Cutting holder
Mounting	CYLINDRICAL SHANK 40
Tool output	Cut Off Holder 32
Coolant	External coolant
H [mm]	120



Accessories	N.A.
Notes	N.A.
Mounting tips	N.A.

Always check live tool dimensions on the turret



Subject to technical changes