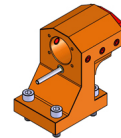


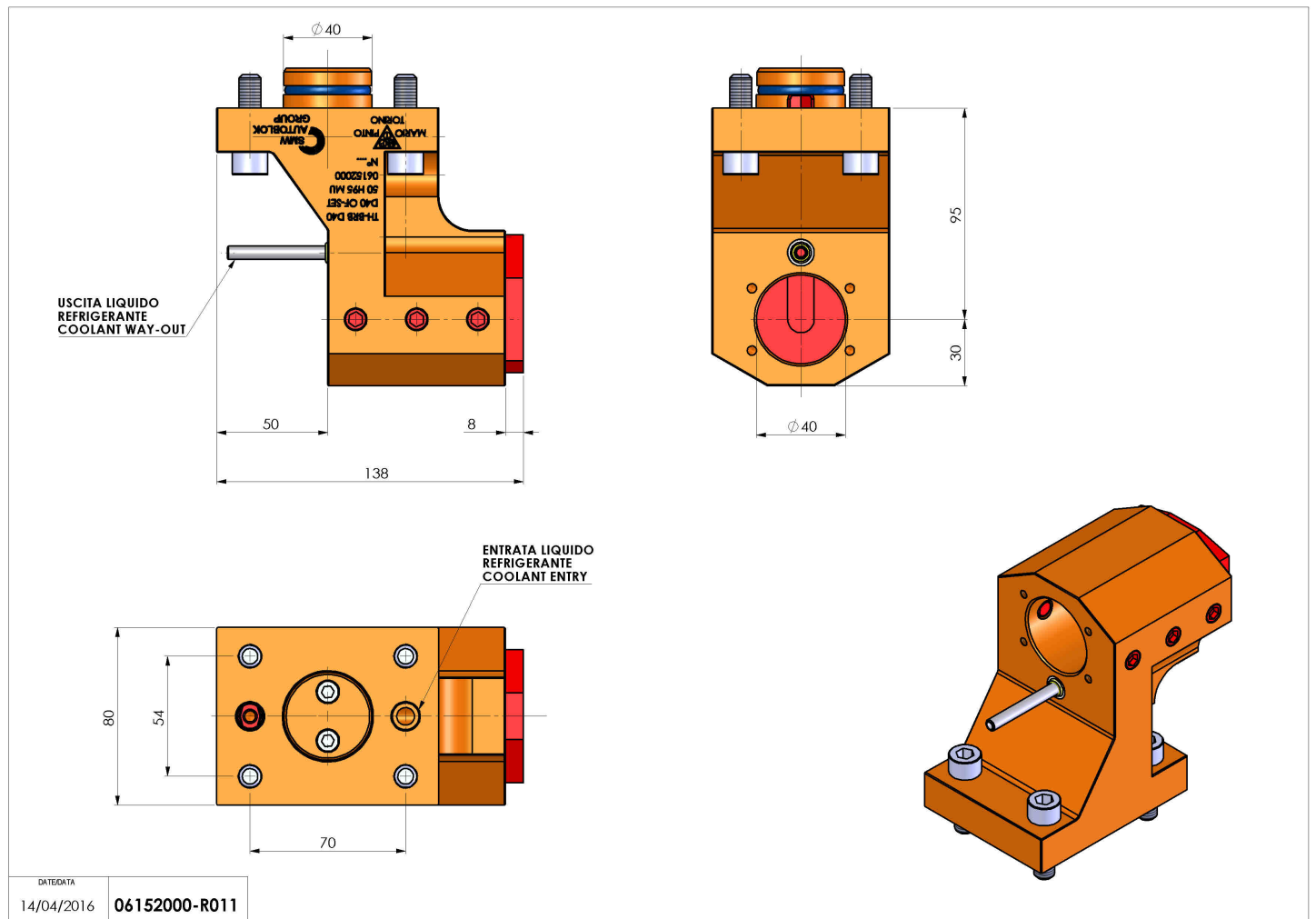
## 06152000 - TH-BRB D40 D40 OF-SET50 H95 MU

Type	TH-BRB Boring bar holder
Mounting	CYLINDRICAL SHANK 40
Tool output	Boring Bar Holder 40
Coolant	External / Internal coolant
H [mm]	95



Accessories	N.A.
Notes	N.A.
Mounting tips	N.A.

Always check live tool dimensions on the turret



Subject to technical changes