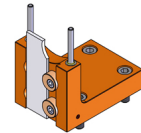


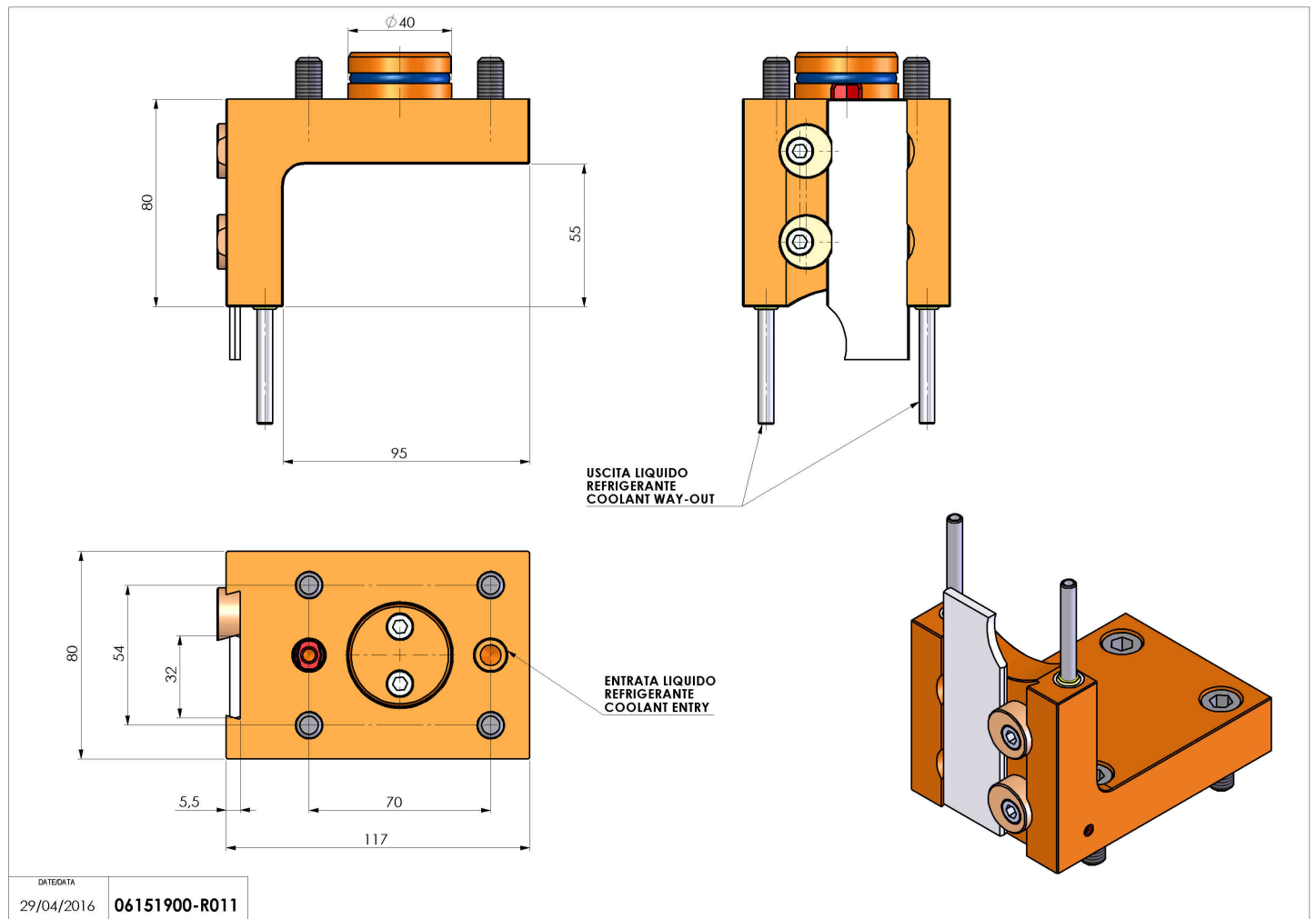
# 06151900 - TH-CUT D40 UT32 H80 MU

<b>Type</b>	TH-CUT Cutting holder
<b>Mounting</b>	CYLINDRICAL SHANK 40
<b>Tool output</b>	Cut Off Holder 32
<b>Coolant</b>	External coolant
<b>H [mm]</b>	80



<b>Accessories</b>	N.A.
<b>Notes</b>	N.A.
<b>Mounting tips</b>	N.A.

Always check live tool dimensions on the turret



DATE/DATE	06151900-R011
29/04/2016	

Subject to technical changes