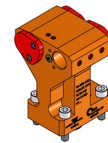


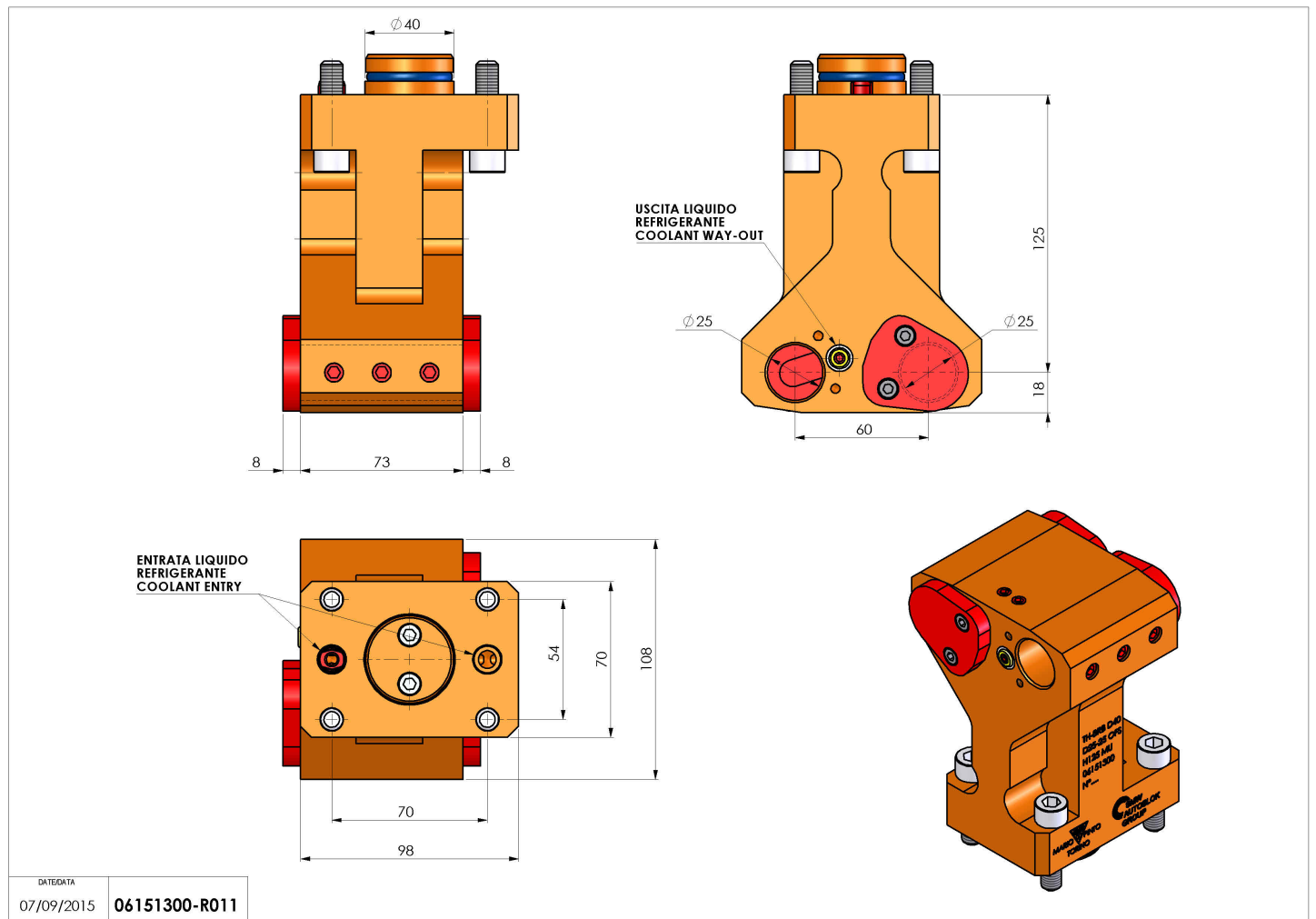
## 06151300 - TH-BRB D40 D25-25 L60 H125 MU

Type	TH-BRB Boring bar holder
Mounting	CYLINDRICAL SHANK 40
Tool output	Boring Bar Holder 25
Coolant	External / Internal coolant
H [mm]	125



Accessories	N.A.
Notes	N.A.
Mounting tips	N.A.

Always check live tool dimensions on the turret



DATE/DATE	07/09/2015
06151300-R011	

Subject to technical changes