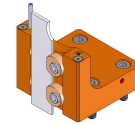


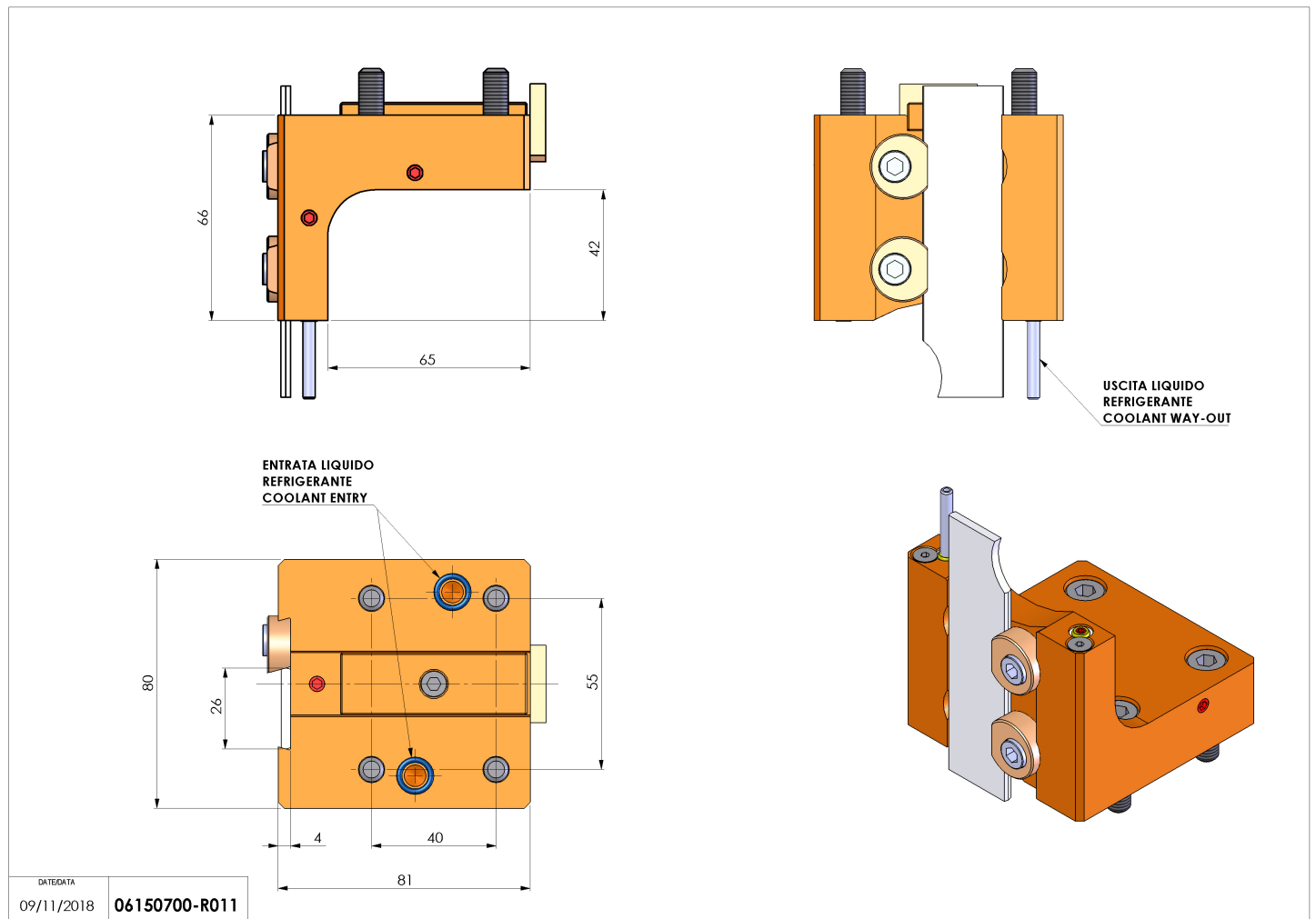
06150700 - TH-CUT D44 SH26X3 LR H66

Type	TH-CUT Cutting holder
Mounting	CYLINDRICAL SHANK 44
Tool output	Cut Off Holder 26
Coolant	External coolant
H [mm]	66



Accessories	N.A.
Notes	N.A.
Mounting tips	N.A.

Always check live tool dimensions on the turret



DATE/DATA: 09/11/2018
06150700-R011

Subject to technical changes