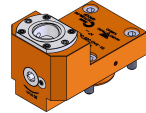


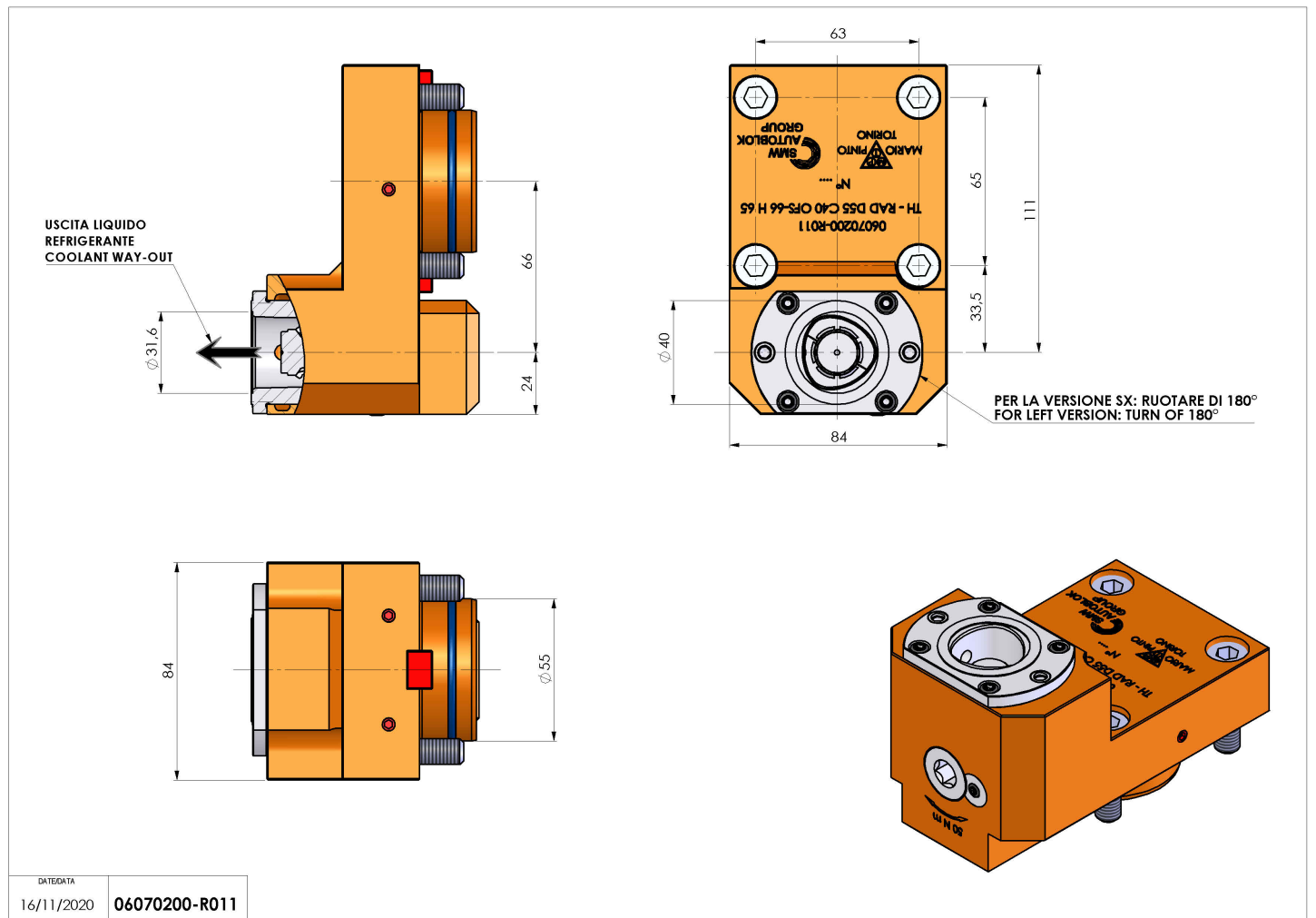
# 06070200 - TH-RAD D55 C40 OFS-66 RF H65

|             |                                 |
|-------------|---------------------------------|
| Type        | TH-RAD<br>Radial Tool holder    |
| Mounting    | CYLINDRICAL SHANK 55            |
| Tool output | Polygonal shank C40 ISO 26623-1 |
| Coolant     | Internal coolant                |
| H [mm]      | 65                              |



|               |      |
|---------------|------|
| Accessories   | N.A. |
| Notes         | N.A. |
| Mounting tips | N.A. |

Always check live tool dimensions on the turret



Subject to technical changes