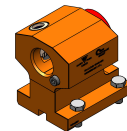


06066500 - TH-AX D60 VDI40 H90

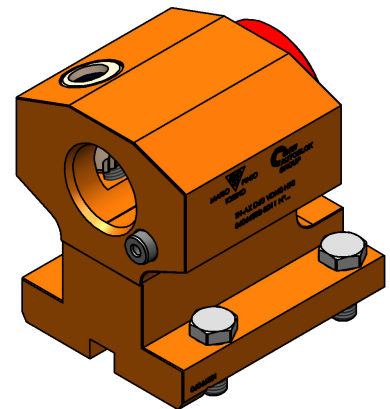
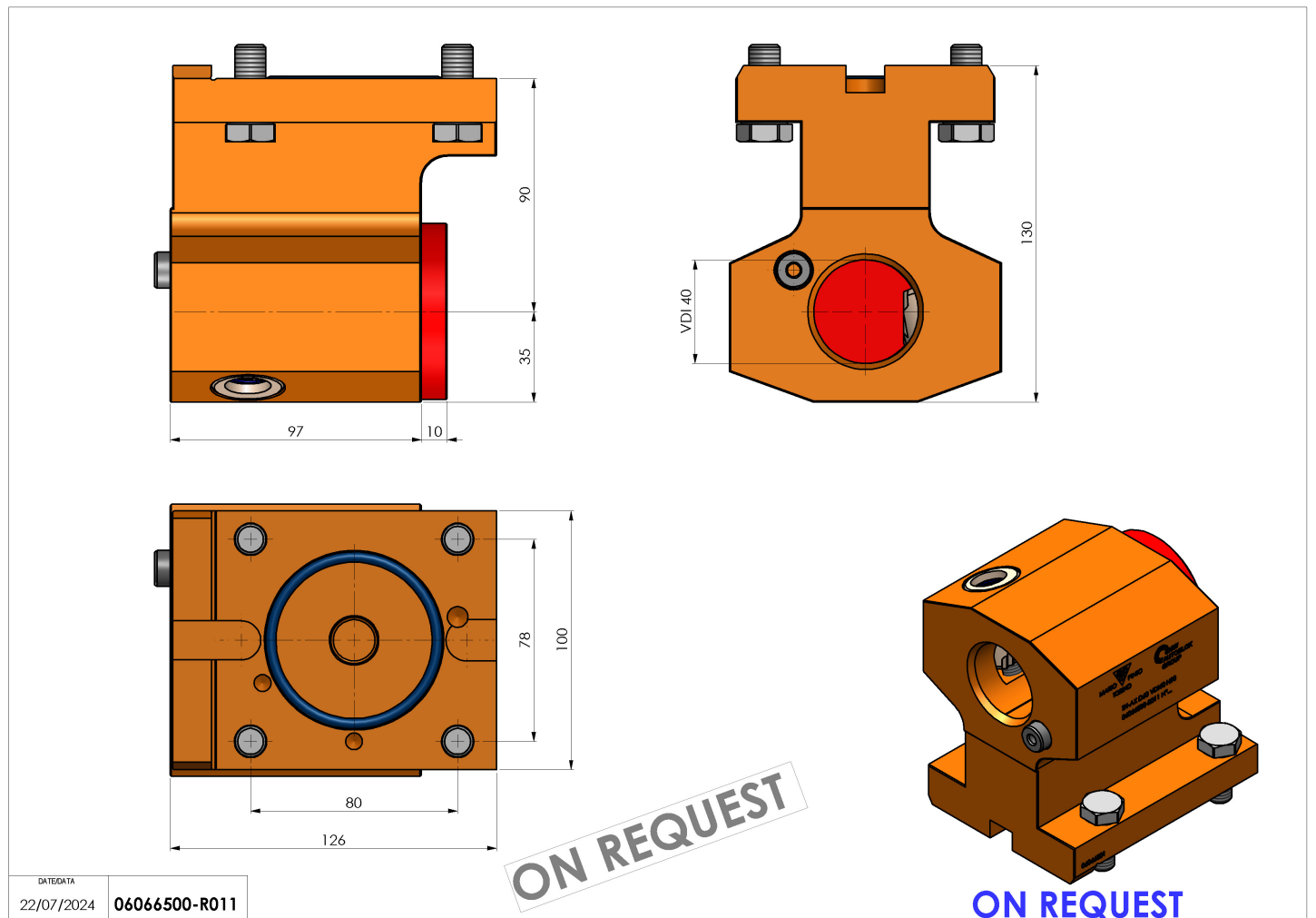
Type	TH SPECIALE Tool holder customized
Mounting	CYLINDRICAL SHANK 60
Tool output	VDI40
Coolant	N.A.
H [mm]	90



ON REQUEST

Accessories	N.A.
Notes	N.A.
Mounting tips	N.A.

Always check live tool dimensions on the turret



ON REQUEST

Subject to technical changes

DATE/DATE	22/07/2024
06066500-R011	