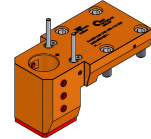


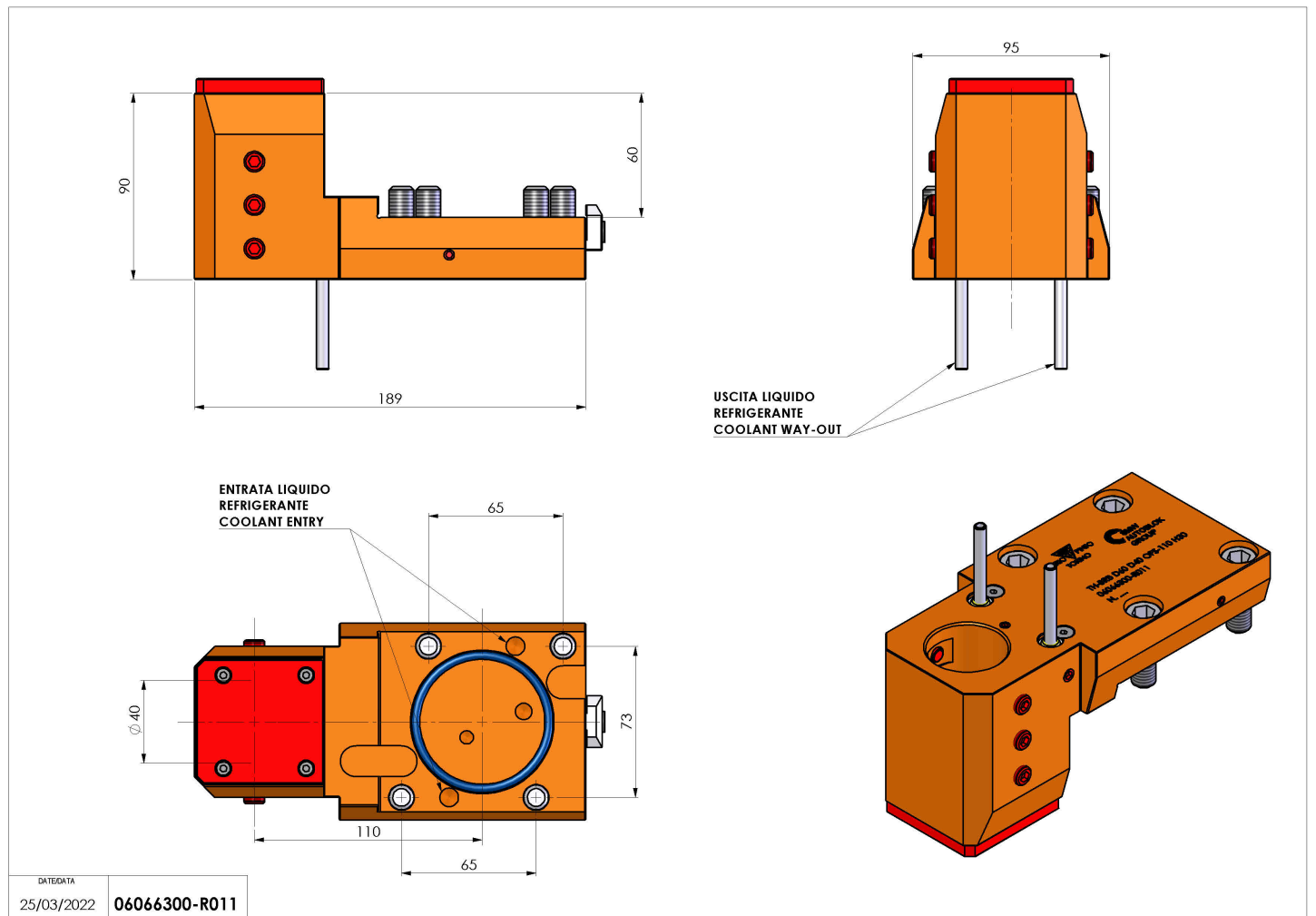
06066300 - TH-BRB D60D40 OFS-110 H30

Type	TH-BRB Boring bar holder
Mounting	CYLINDRICAL SHANK 60
Tool output	Boring Bar Holder 40
Coolant	External coolant
H [mm]	30



Accessories	N.A.
Notes	N.A.
Mounting tips	Right star-type turret

Always check live tool dimensions on the turret



DATE/DATE	06066300-R011
-----------	---------------

Subject to technical changes