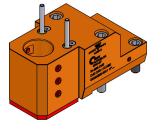
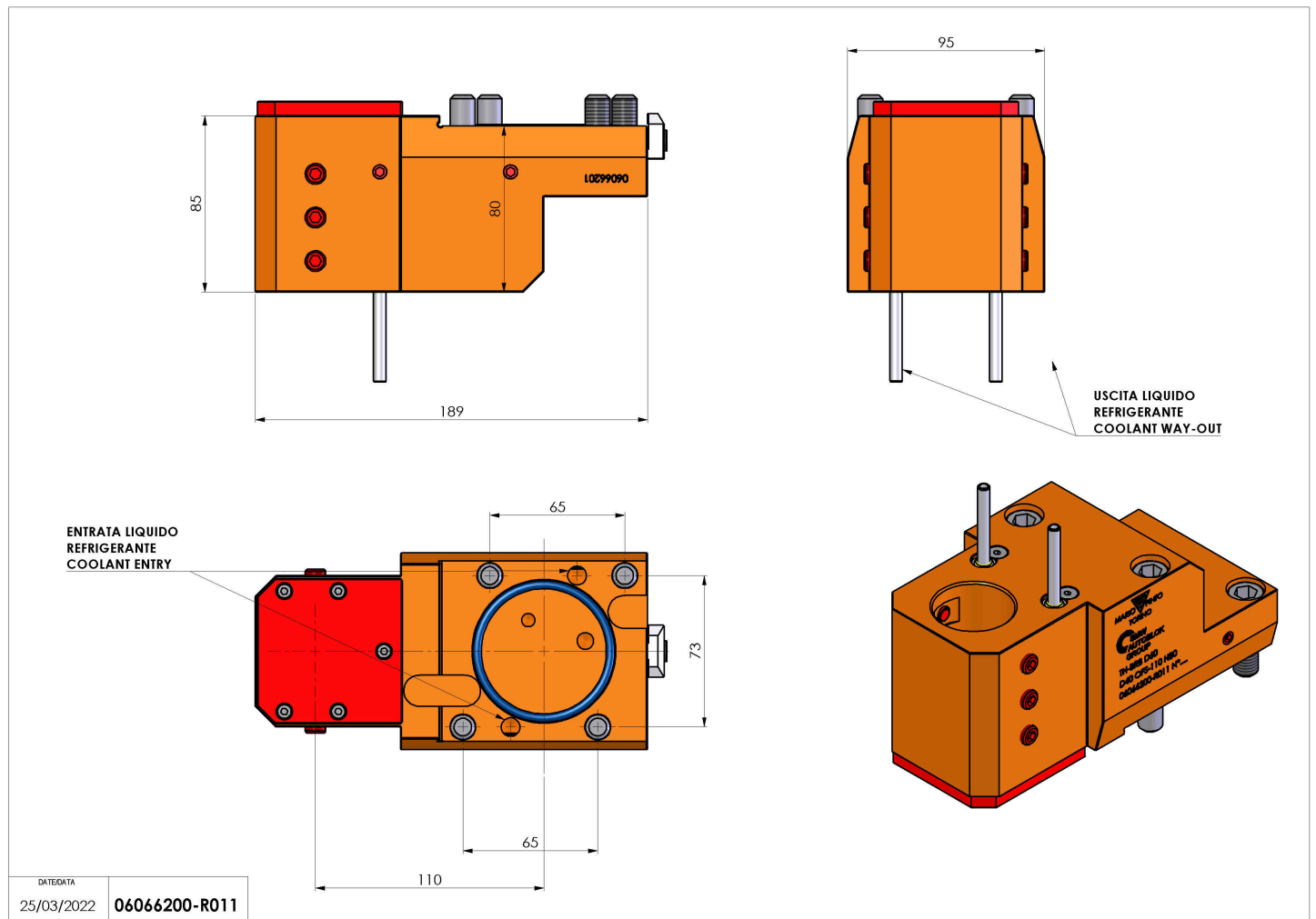


06066200 - TH-BRB D60 D40 OFS-110 H80

Type	TH-BRB Boring bar holder
Mounting	CYLINDRICAL SHANK 60
Tool output	Boring Bar Holder 40
Coolant	External coolant
H [mm]	80
	
Accessories	N.A.
Notes	N.A.
Mounting tips	Right star-type turret

Always check live tool dimensions on the turret



DATE/DATE	25/03/2022
PART NUMBER	06066200-R011

Subject to technical changes