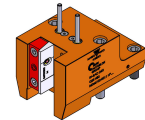


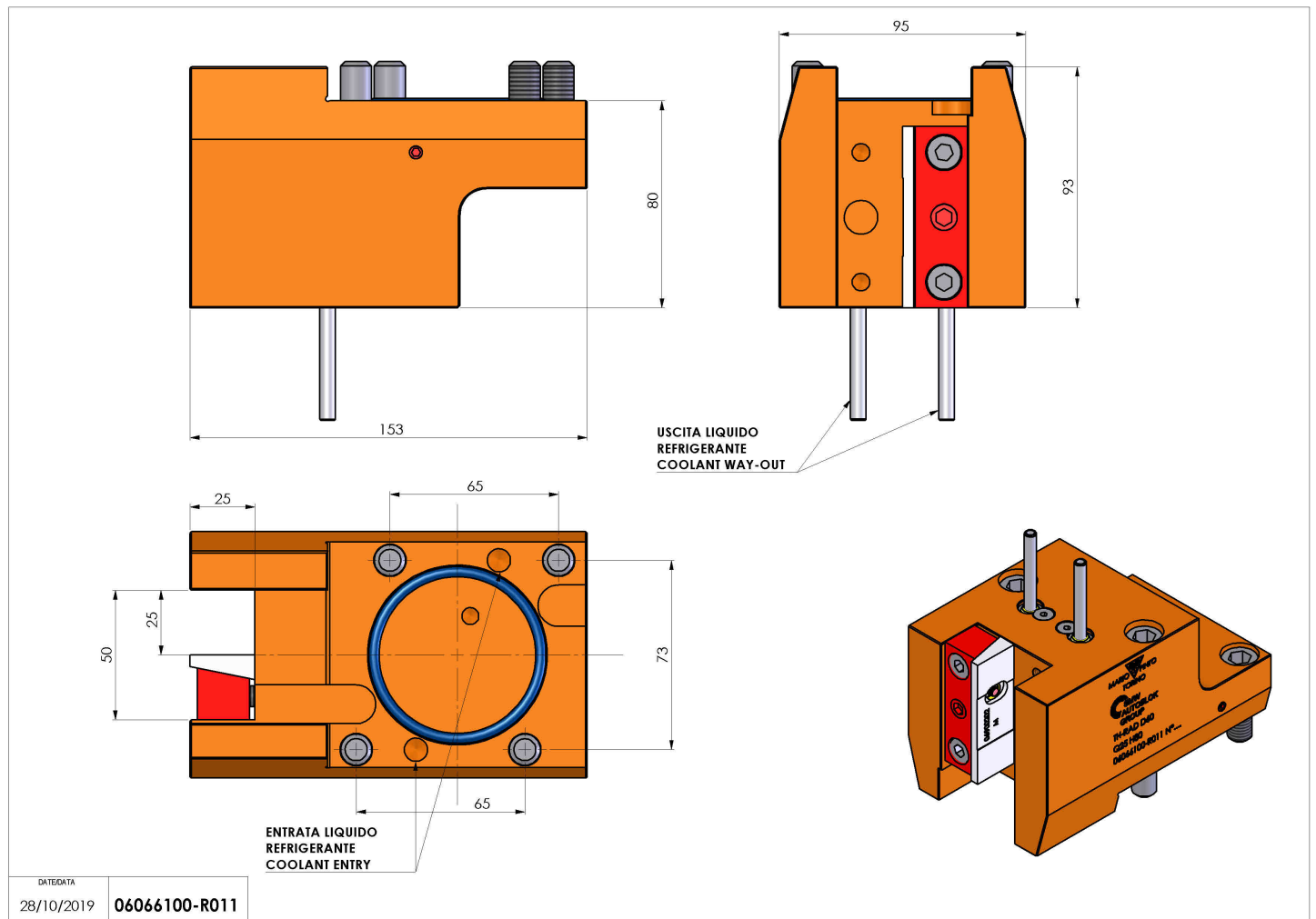
06066100 - TH-RAD D60 Q25 H80

Type	TH-RAD Radial Tool holder
Mounting	CYLINDRICAL SHANK 60
Tool output	Axial Square Tool Holder 25x25
Coolant	External coolant
H [mm]	80



Accessories	N.A.
Notes	N.A.
Mounting tips	Right star-type turret

Always check live tool dimensions on the turret



Subject to technical changes