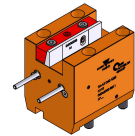
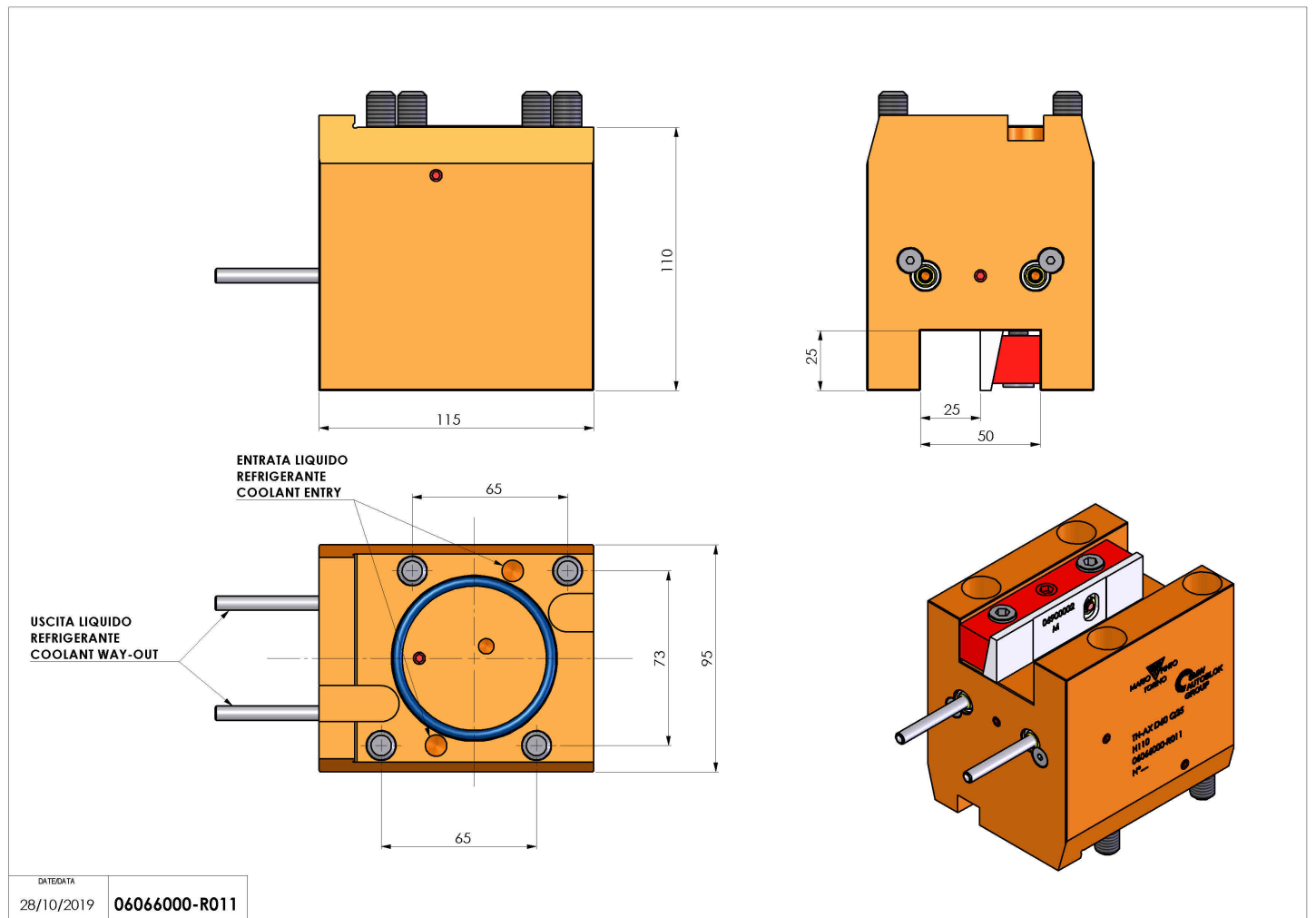


## 06066000 - TH-AX D60 Q25 H110

<b>Type</b>	TH-AX Axial Tool holder
<b>Mounting</b>	CYLINDRICAL SHANK 60
<b>Tool output</b>	Axial Square Tool Holder 25x25
<b>Coolant</b>	External coolant
<b>H [mm]</b>	110
<b>Accessories</b>	N.A.
<b>Notes</b>	N.A.
<b>Mounting tips</b>	Right star-type turret



Always check live tool dimensions on the turret



Subject to technical changes

DATE/DATE	
28/10/2019	06066000-R011