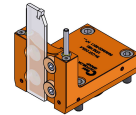


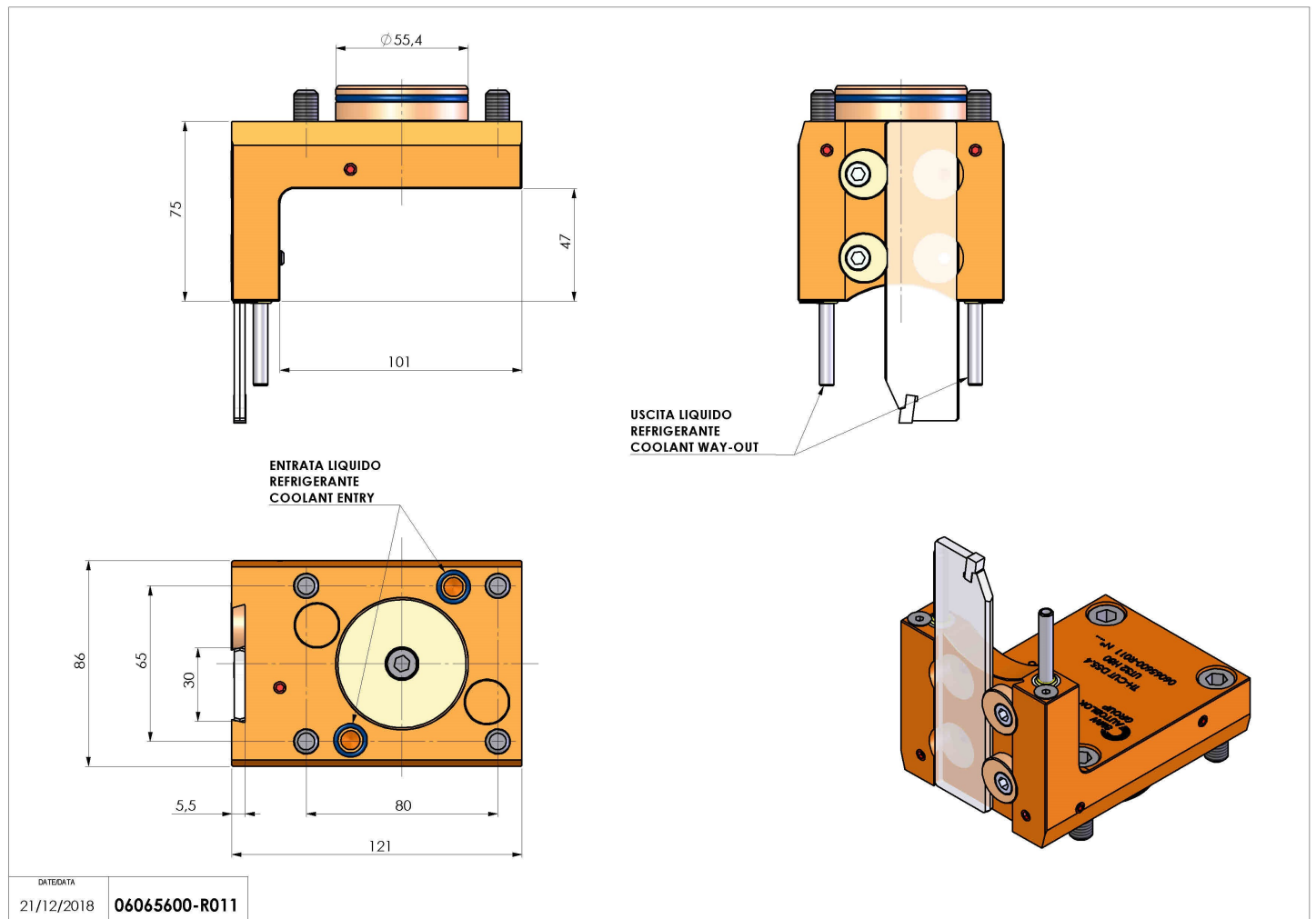
06065600 - TH-CUT D55.4 UT32 L-R H75

Type	TH-CUT Cutting holder
Mounting	CYLINDRICAL SHANK 55,4
Tool output	Cut Off Holder 32
Coolant	External coolant
H [mm]	75



Accessories	N.A.
Notes	N.A.
Mounting tips	N.A.

Always check live tool dimensions on the turret



DATE/GATA	21/12/2018
PART NUMBER	06065600-R011

Subject to technical changes