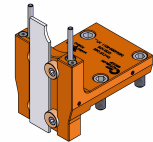


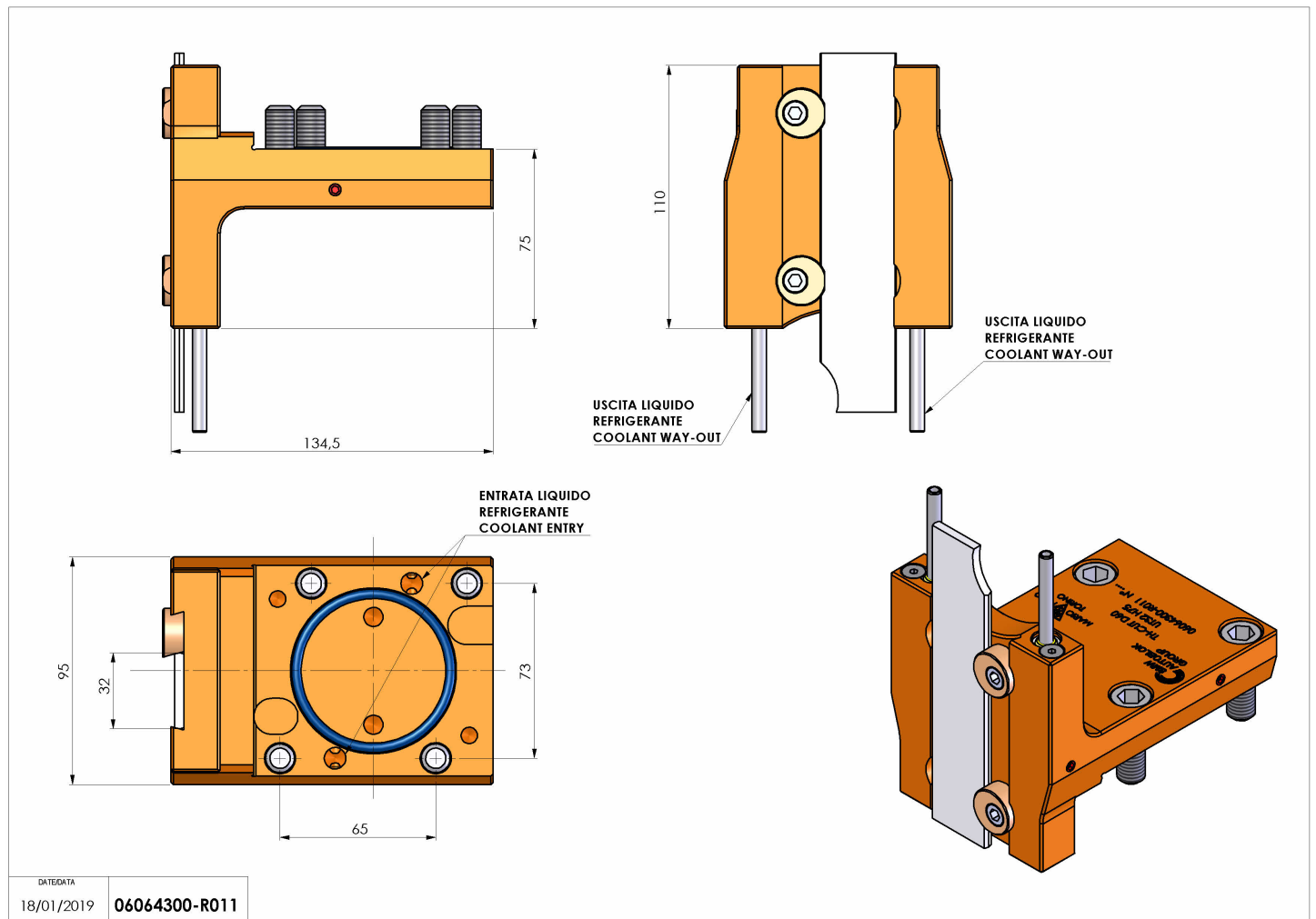
06064300 - TH-CUT D60 UT32 H75

Type	TH-CUT Cutting holder
Mounting	CYLINDRICAL SHANK 60
Tool output	Cut Off Holder 32
Coolant	External coolant
H [mm]	75



Accessories	N.A.
Notes	N.A.
Mounting tips	N.A.

Always check live tool dimensions on the turret



DATE/DATE	18/01/2019	06064300-R011
-----------	------------	---------------

Subject to technical changes