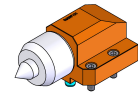


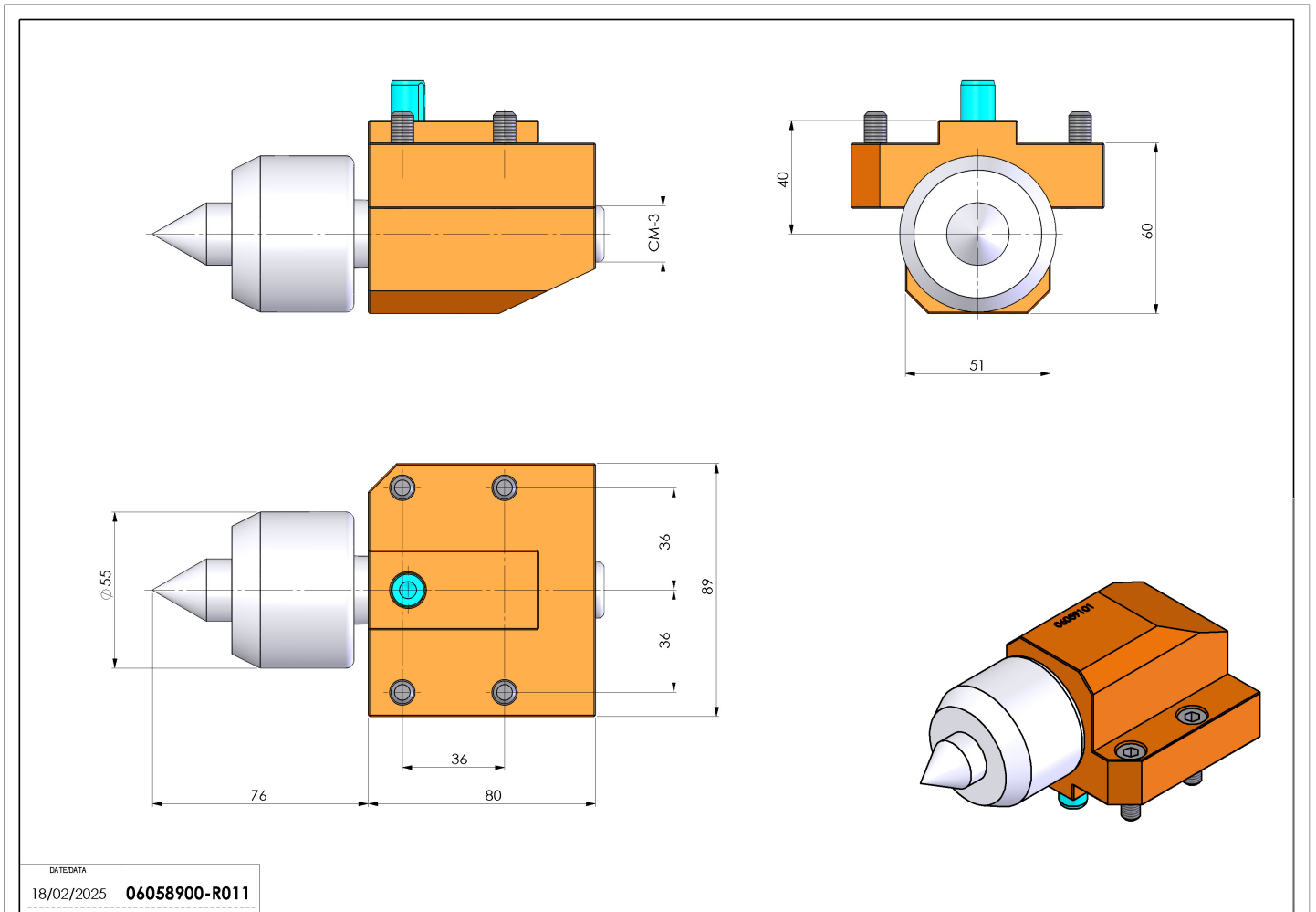
06058900 - TH-CM3 CONTR ROTANTE H32

Type	TH Tool holder
Mounting	MAZAK
Tool output	Tailstock holder CM3
Coolant	N.A.
H [mm]	32



Accessories	N.A.
Notes	N.A.
Mounting tips	N.A.

Always check live tool dimensions on the turret



DATE/DATA	06058900-R011
-----------	---------------

Subject to technical changes