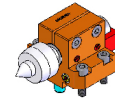
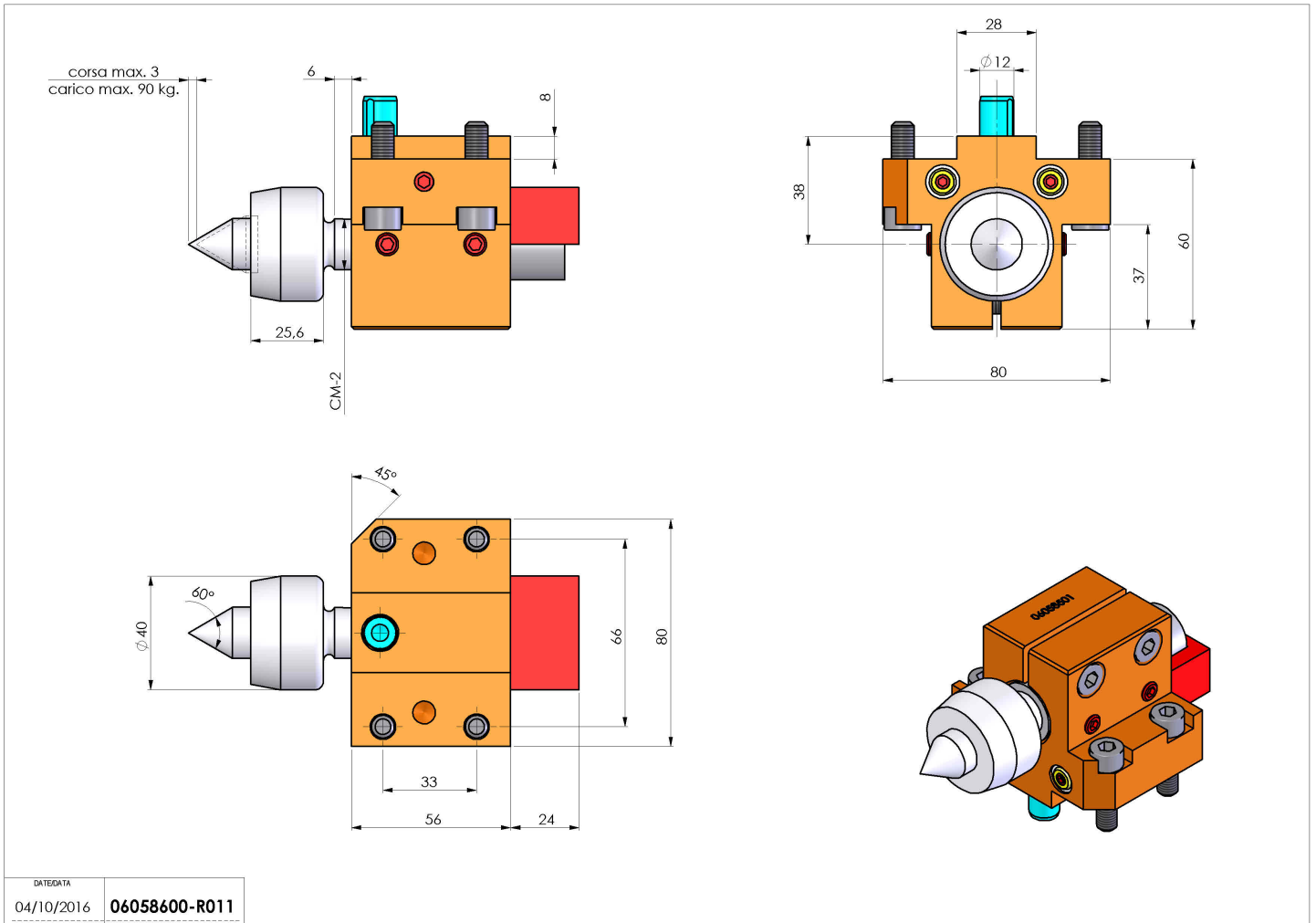


06058600 - TH-CONTROPUNTA MZ

Type	TH Tool holder
Mounting	MAZAK
Tool output	Boring Bar Holder 25
Coolant	N.A.
H [mm]	30
Ø Min [mm]	D25
Accessories	N.A.
Notes	N.A.
Mounting tips	N.A.



Always check live tool dimensions on the turret



Subject to technical changes