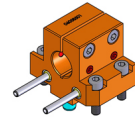


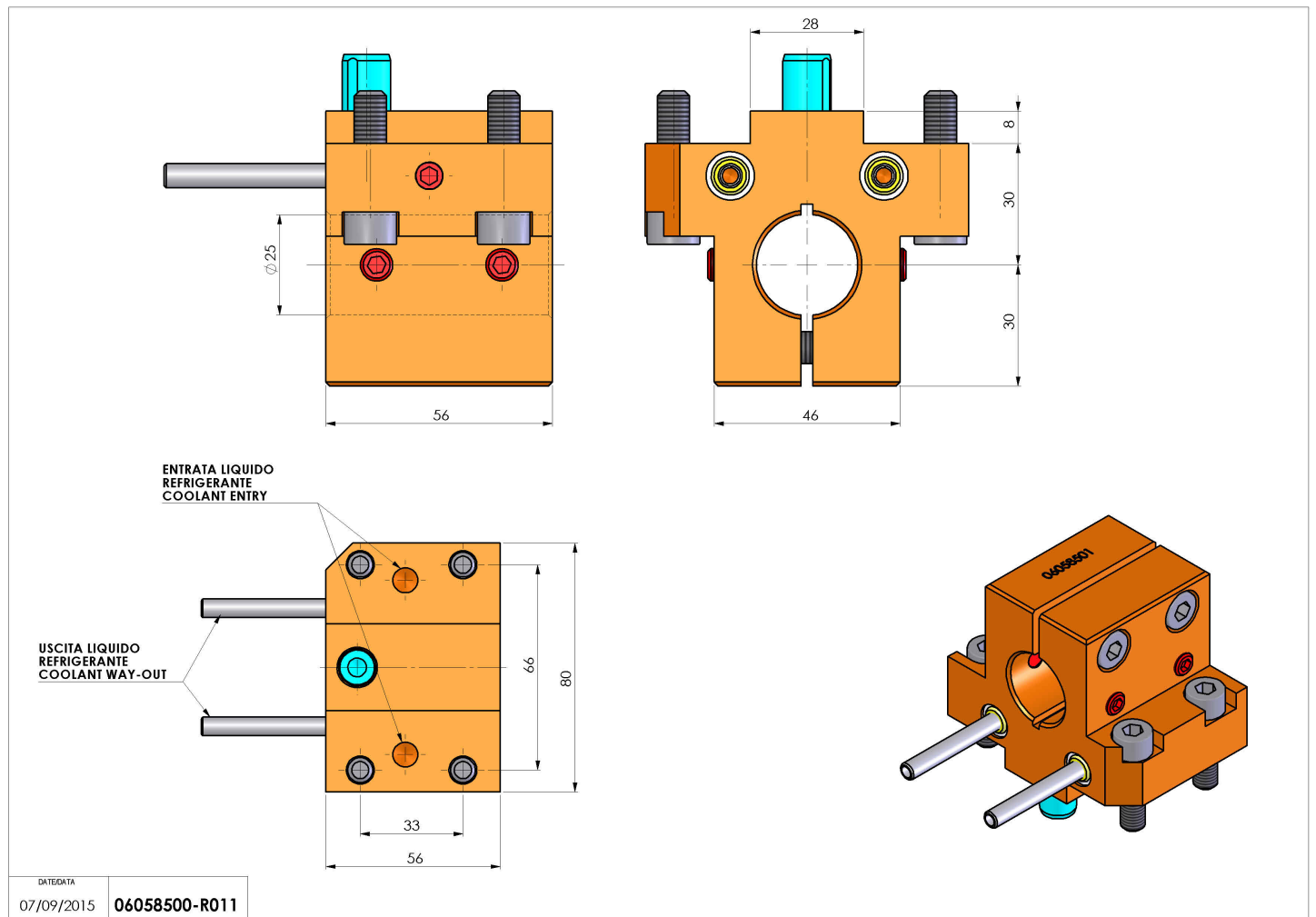
06058500 - TH-BRB D25 H30 TAGL MZ

Type	TH-BRB Boring bar holder
Mounting	MAZAK
Tool output	Boring Bar Holder 25
Coolant	External coolant
H [mm]	30



Accessories	N.A.
Notes	N.A.
Mounting tips	N.A.

Always check live tool dimensions on the turret



Subject to technical changes