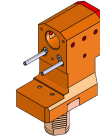


## 06058400 - TH-BRB VDI40 D32 MS H123

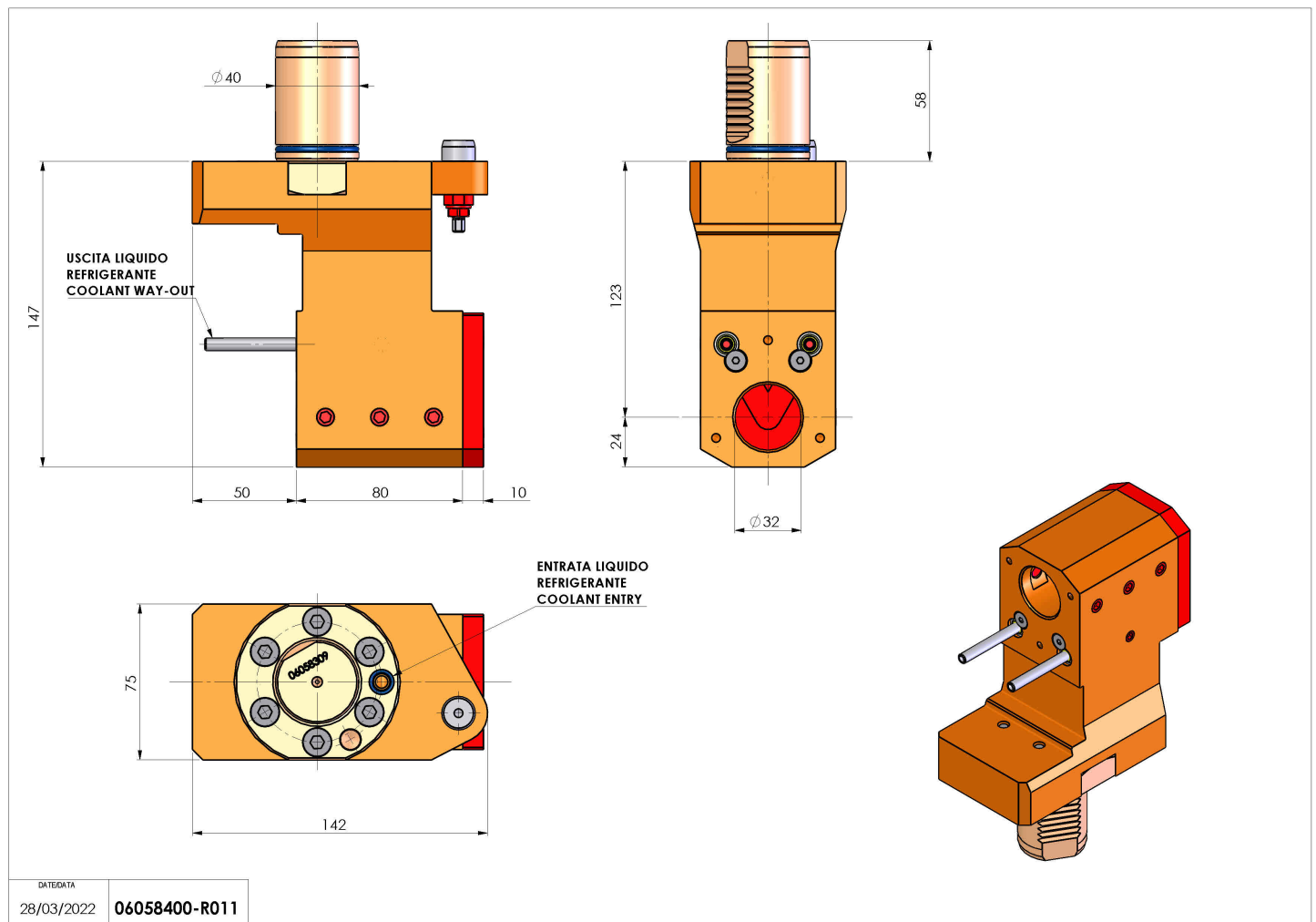
Type	TH-BRB Boring bar holder
Mounting	VDI 40
Tool output	Boring Bar Holder 32
Coolant	External / Internal coolant
H [mm]	123



Accessories	N.A.
Notes	N.A.
Mounting tips	Main spindle only

**ATTENTION: CHECK THE ORIENTATION OF THE VDI TEETH**

Always check live tool dimensions on the turret



Subject to technical changes