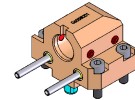


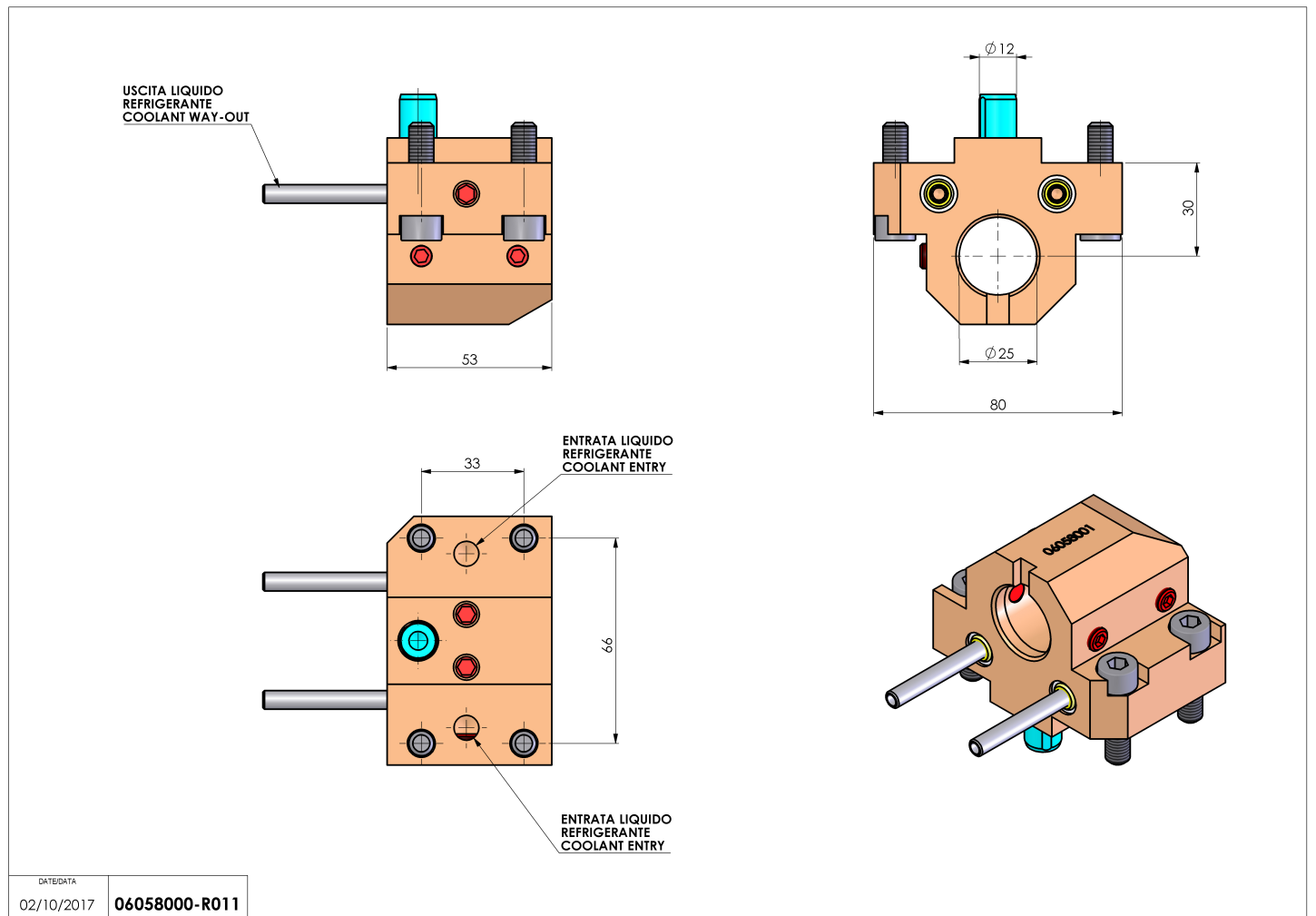
06058000 - TH-BRB D25 H130 MZ

Type	TH-BRB Boring bar holder
Mounting	MAZAK
Tool output	Boring Bar Holder 25
Coolant	External / Internal coolant
H [mm]	30



Accessories	N.A.
Notes	N.A.
Mounting tips	N.A.

Always check live tool dimensions on the turret



DATE/DATA	02/10/2017	06058000-R011
-----------	------------	---------------

Subject to technical changes